

2002-RS250R PARTS LIST

CONTENTS

INSTRUCTIONS FOR USE OF PARTS LIST	2- 2
--	------

ENGINE GROUP

E- 1	Front cylinder / Cylinder head	2- 3
E- 2	Rear cylinder / Cylinder head	2- 4
E- 3	L. Crankcase cover / Clutch	2- 5
E- 4	Exhaust valve pulley / Rear adjuster rod	2- 6
E- 5	A.C. generator	2- 7
E- 6	Water pump	2- 8
E- 7	Crankcase	2- 9
E- 8	Crankshaft / Piston	2-11
E- 9	Transmission	2-12
E-10	Gearshift fork / Gearshift drum	2-14
E-11	Carburetor	2-15

FRAME GROUP

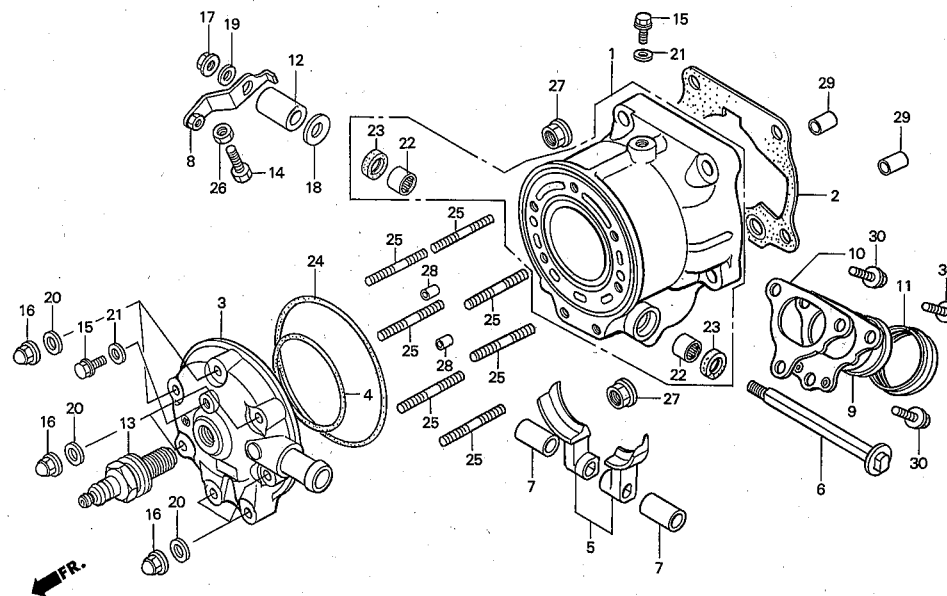
F- 1	Servo motor / Meter / Meter panel	2-18
F- 2	Cable / Switch / Handlebar	2-19
F- 3	Front brake caliper / Front brake master cylinder	2-20
F- 4	Steering stem / Steering damper / Front fender	2-21
F- 5	Front fork	2-22
F- 6	Front wheel	2-23
F- 7	Rear brake master cylinder	2-24
F- 8	Rear brake caliper	2-25
F- 9	Rear wheel	2-26
F-10	Fuel tank	2-27
F-11	Carburetor box	2-28
F-12	Expansion chamber	2-29
F-13	Gearshift pedal / Footpeg (Change pedal / Step arm)	2-30
F-14	Rear swingarm	2-31
F-15	Shock absorber (Rear cushion)	2-32
F-16	Ignition coil / Wire harness	2-33
F-17	Engine control unit / Frame body / Stand	2-34
F-18	Radiator	2-35
F-19	Cowl	2-36

INDEX	2-37
-------------	------

Block No.

E-1

Front cylinder /
Cylinder head
2001 RS250R
2002 RS250R

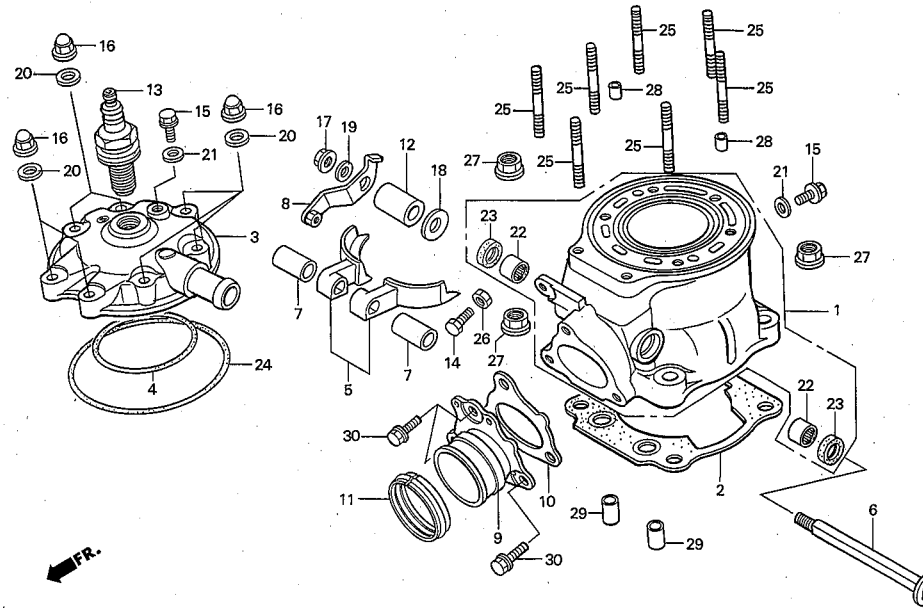


Ref. No.	Part No.	Description	Reqd. No. '01 '02	Remarks	Ref. No.	Part No.	Description	Reqd. No. '01 '02	Remarks
• 1	12100-NXA-610	CYLINDER COMP.	(1) 1		16	90201-415-000	NUT, cap, 6mm	7 7	
•	12101-NXA-000	CYLINDER COMP.	1 -		17	90301-473-003	NUT, U, 6mm	1 1	
• 2	12194-NXA-003	GASKET, cylinder (0.4t)	(1) (1)		• 18	90401-NX5-770	WASHER, 8mm	1 1	
•	12195-NXA-003	GASKET, cylinder (0.5t)	1 1		19	90442-035-000	WASHER, sealing, 6mm	1 1	
•	12196-NXA-003	GASKET, cylinder (0.6t)	(1) (1)		20	90488-425-000	WASHER, sealing, 6mm	7 7	
• 3	12211-NX5-790	HEAD, cylinder	1 1		21	90543-273-000	PACKING, front fork drain valve	2 2	
• 4	12213-ND5-000	O-RING, 61 X 1.9	1 1		22	91024-GJ5-003	BEARING, needle, 12 X 16 X 10	2 2	
• 5	14210-NXA-000	SET, valve	1 1		23	91205-PH8-005	OIL SEAL, 12 X 18 X 4	2 2	
• 6	14221-NX5-000	SHAFT, exhaust valve	1 1		24	91302-HA5-003	O-RING, 85.3 X 2	1 1	
• 7	14223-NF5-750	COLLAR, 8mm	2 2		25	92900-06028-0E	BOLT, stud II, 6 X 28	7 7	
• 8	14420-NX5-750	ARM COMP., front valve	1 1		26	94001-05080-0S	NUT, 5mm	1 1	
• 9	18220-NXA-000	JOINT, exhaust pipe #1	1 1	Length:34mm black	27	94050-08000	NUT, flange, 8mm	4 4	
• 10	18231-NXA-801	GASKET, exhaust joint	1 1		28	94301-06100	DOWEL PIN, 6 X 10	2 2	
• 11	18359-NXA-000	SEAL, exhaust pipe	1 1		29	94301-10120	DOWEL PIN, 10 X 12	2 2	
12	24329-KT8-000	COLLAR, guide plate distance	1 1		30	96001-06014-00	BOLT, flange, SH, 6 X 14	3 3	
• 13	31930-NX5-751	SPARK PLUG, R6120-10	(1) (1)						
•	31940-NX5-751	SPARK PLUG, R6120-10.5	1 1						
•	31950-NX5-751	SPARK PLUG, R6120-11	(1) (1)						
• 14	90035-NX5-700	BOLT, stopper	1 1						
• 15	90037-NX5-000	BOLT, water check 6 X 10	2 2						

Block No.

E-2

Rear cylinder /
Cylinder head
2001 RS250R
2002 RS250R

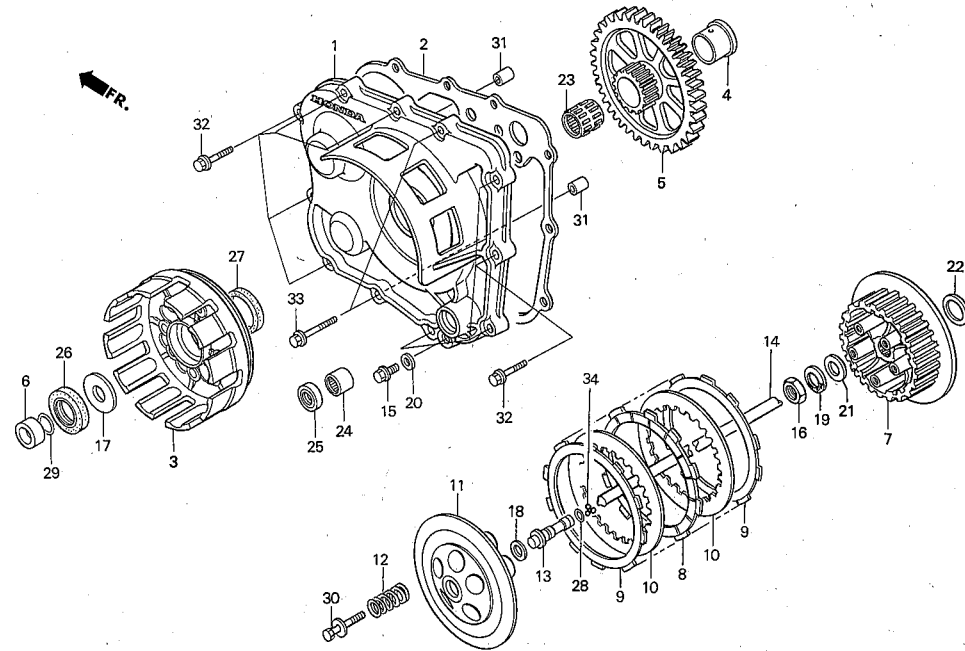


Ref. No.	Part No.	Description	Reqd. No. '01 '02	Remarks	Ref. No.	Part No.	Description	Reqd. No. '01 '02	Remarks
• 1	12100-NXA-610	CYLINDER COMP.	(1) 1		16	90201-415-000	NUT, cap, 6mm.....	7 7	
•	12101-NXA-000	CYLINDER COMP.	1 -		17	90301-473-003	NUT, U, 6mm	1 1	
• 2	12194-NXA-003	GASKET, cylinder (0.4t).....	(1) (1)		• 18	90401-NX5-770	WASHER, 8mm.....	1 1	
•	12195-NXA-003	GASKET, cylinder (0.5t).....	1 1		19	90442-035-000	WASHER, sealing, 6mm	1 1	
•	12196-NXA-003	GASKET, cylinder (0.6t).....	(1) (1)		20	90488-425-000	WASHER, sealing, 6mm	7 7	
• 3	12211-NX5-790	HEAD, cylinder.....	1 1		21	90543-273-000	PACKING, front fork drain valve	2 2	
• 4	12213-ND5-000	O-RING, 61×1.9.....	1 1		22	91024-GJ5-003	BEARING, needle, 12×16×10	2 2	
• 5	14210-NXA-000	SET, valve.....	1 1		23	91205-PH8-005	OIL SEAL, 12×18×4.....	2 2	
• 6	14221-NX5-000	SHAFT, exhaust valve.....	1 1		24	91302-HA5-003	O-RING, 85.3×2.....	1 1	
• 7	14223-NF5-750	COLLAR, 8mm.....	2 2		25	92900-06028-0E	BOLT, stud II, 6×28	7 7	
• 8	14410-NX5-750	ARM COMP., front valve	1 1		26	94001-05080-0S	NUT, 5mm	1 1	
• 9	18221-NXA-000	JOINT, exhaust pipe #2.....	1 1	Length:29mm silver	27	94050-08000	NUT, flange, 8mm	4 4	
• 10	18231-NXA-801	GASKET, exhaust joint.....	1 1		28	94301-06100	DOWEL PIN, 6×10.....	2 2	
• 11	18359-NXA-000	SEAL, exhaust pipe.....	1 1		29	94301-10120	DOWEL PIN, 10×12.....	2 2	
12	24329-KT8-000	COLLAR, guide plate distance.....	1 1		30	96001-06014-00	BOLT, flange, SH, 6×14	3 3	
• 13	31930-NX5-751	SPARK PLUG, R6120-10.....	(1) (1)						
•	31940-NX5-751	SPARK PLUG, R6120-10.5.....	1 1						
•	31950-NX5-751	SPARK PLUG, R6120-11.....	(1) (1)						
• 14	90035-NX5-700	BOLT, stopper.....	1 1						
• 15	90037-NX5-000	BOLT, water check 6×10.....	2 2						

Block No.

E-3

L. Crankcase cover /
Clutch
2001 RS250R
2002 RS250R

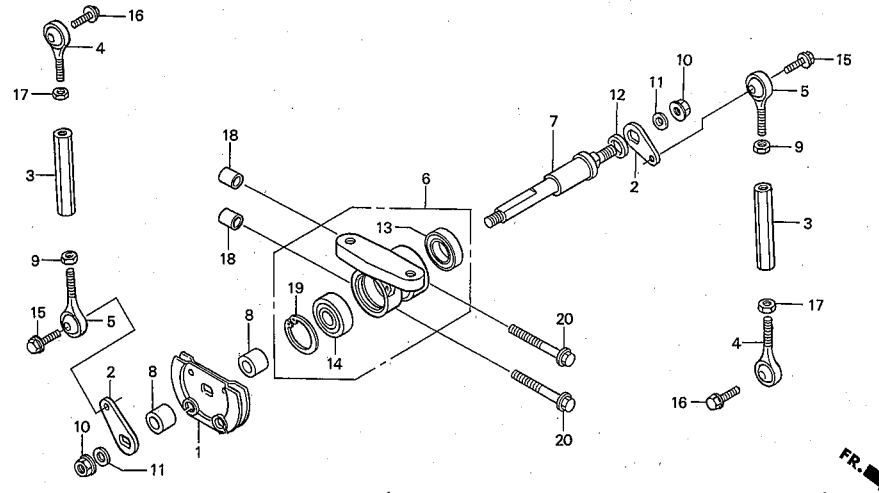


Ref. No.	Part No.	Description	Reqd. No. '01 '02	Remarks	Ref. No.	Part No.	Description	Reqd. No. '01 '02	Remarks
• 1	11340-NXA-000	COVER, L. crankcase	1 1		• 18	90412-NF5-760	WASHER, shim 1.4	N N	
• 2	11395-NXA-000	GASKET, L. cover	1 1		•	90413-NF5-760	WASHER, shim 1.8	N N	
• 3	22100-NX5-680	OUTER COMP., clutch	1 1		•	90414-NF5-760	WASHER, shim 2.2	N N	
• 4	22106-NXA-000	COLLAR, clutch outer	1 1		19	90432-428-000	WASHER, lock	1 1	
• 5	22111-NX5-000	GEAR, 56T, primary driven	(1) (1)		20	90443-MB0-000	WASHER, sealing, 10mm	1 1	
•	22112-NX5-000	GEAR, 57T, primary driven	(1) (1)		21	90456-KA4-000	WASHER, thrust 18×32	1 1	
•	22113-NX5-000	GEAR, 58T, primary driven	1 1		22	90456-425-000	WASHER A, thrust 22mm	1 1	
• 6	22117-NX5-000	COLLAR, 22×30×10.2	1 1		23	91021-ML3-003	BEARING, needle 28×32×27.2	1 1	
• 7	22120-NX5-680	CENTER, clutch	1 1		24	91101-121-691	BEARING, needle (7E-HK1412)	1 1	
• 8	22201-NX5-003	DISK, clutch friction	4 4		25	91203-KK3-830	OIL SEAL, 14×22×5	1 1	
• 9	22202-NX5-000	DISK, clutch friction	2 2		26	91264-415-003	OIL SEAL, 30×47×7	1 1	
10	22321-MM9-000	PLATE, clutch	5 5		27	91271-MB0-013	OIL SEAL, 47×56×7	1 1	
• 11	22351-NX5-680	PLATE, clutch pressure	1 1		28	91306-HB3-003	O-RING, 8×1.7	1 1	
12	22401-KA5-740	SPRING, clutch	5 5		29	91359-415-300	O-RING, 22×1.7	1 1	
• 13	22841-ND5-750	PIECE, lifter joint	1 1		30	93404-06020-08	BOLT-WASHER, 6×20	5 5	
• 14	22850-NX5-700	ROD, clutch lifter	1 1		31	94301-08100	DOWEL PIN, 8×10	2 2	
• 15	90081-NF5-000	BOLT, drain, 10mm	1 1		32	96001-06025-00	BOLT, flange, SH, 6×25	9 9	
• 16	90235-MN1-670	NUT, 18mm	1 1		33	96001-06032-00	BOLT, flange, SH, 6×32	2 2	
• 17	90402-ND5-750	WASHER, thrust, 22×45.5×2	1 1		34	96211-06000	BALL, steel, 6	3 3	
• 18	90411-NF5-760	WASHER, shim 1.0	N N						

Block No.

E-4

Exhaust valve pulley /
Rear adjuster rod
2001 RS250R
2002 RS250R



Ref. No.	Part No.	Description	Reqd. No. '01 '02	Remarks	Ref. No.	Part No.	Description	Reqd. No. '01 '02	Remarks
• 1	14243-NF5-750	PULLEY COMP.	1 1						
• 2	14245-NX5-000	ARM, pulley	2 2						
• 3	14248-NF5-750	ADJUSTER ROD, rear	2 2						
• 4	14337-NXA-003	ROD END, 5mm	2 2						
• 5	14338-NXA-003	ROD END, 5mm, L. hand	2 2						
• 6	18150-NXA-000	HOLDER COMP., pulley	1 1						
• 7	18152-NX5-700	SHAFT, driven pulley	1 1						
• 8	18153-NX5-000	COLLAR, 8×10	2 2						
• 9	90201-NF5-000	NUT, L. hand, 5mm	2 2						
10	90301-473-003	NUT, U, 6mm	2 2						
11	90442-035-000	WASHER, sealing, 6mm	2 2						
12	90443-MF5-000	WASHER, thrust 8.5	1 1						
13	91001-KG8-901	BEARING, ball radial, 6901 UU	1 1						
• 14	91034-NXA-003	BEARING, ball, 8×22×7	1 1						
15	92301-05014-0A	BOLT (recessed), 5×14	2 2						
16	92301-05016-0A	BOLT (recessed), 5×16	2 2						
17	94001-05000-0S	NUT, hex., 5mm	2 2						
18	94301-08100	DOWEL PIN, 8×10	2 2						
19	94520-22000	CIRCLIP, internal 22	1 1						
20	96001-06040-00	BOLT, flange, SH, 6×40	2 2						

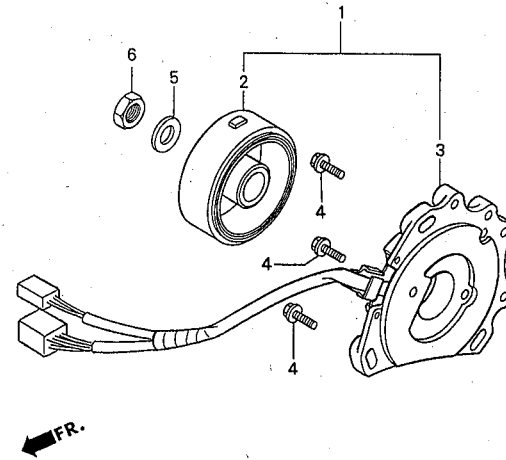
Block No.

E-5

A.C. generator

2001 RS250R

2002 RS250R



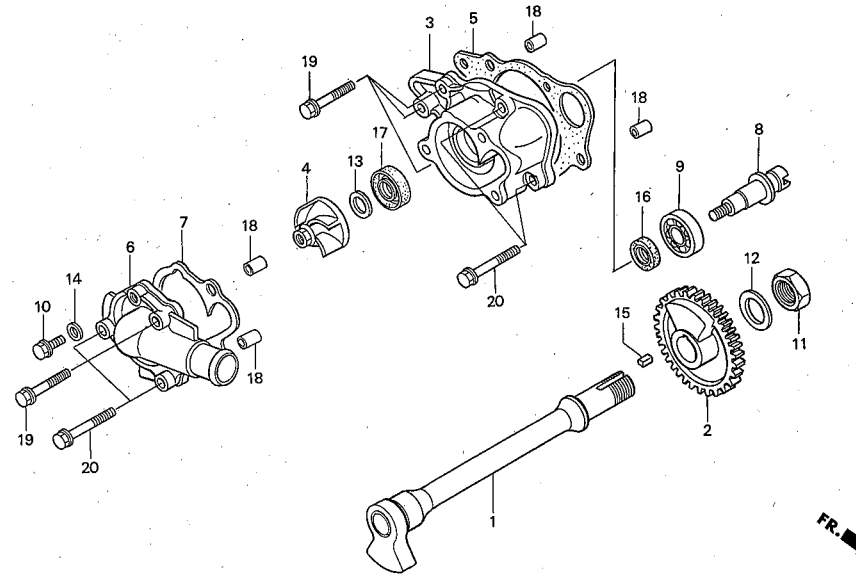
Ref. No.	Part No.	Description	Reqd. No.		Remarks	Ref. No.	Part No.	Description	Reqd. No.		Remarks
			'01	'02					'01	'02	
• 1	31100-NXA-611	A.C. GENERATOR ASSY.	-	1							
•	31100-NX5-681	A.C. GENERATOR ASSY.	1	-							
• 2	31110-NXA-611	FLYWHEEL COMP.	-	1							
•	31110-NX5-771	FLYWHEEL COMP.	1	-							
• 3	31120-NX5-681	STATOR COMP.	1	1							
4	90004-GHB-670	BOLT, flange, NSHF, 6 X 25.....	3	3							
5	90441-KR3-000	WASHER, plain, 12mm.....	1	1							
6	94001-12200-0S	NUT, hex., 12mm.....	1	1							

Block No.

E-6

Water pump

2001 RS250R
2002 RS250R



Ref. No.	Part No.	Description	Reqd. No.		Remarks	Ref. No.	Part No.	Description	Reqd. No.		Remarks
			'01	'02					'01	'02	
• 1	13420-NXA-000	SHAFT COMP., balancer.....	1	1							
• 2	13426-NXA-000	GEAR, balancer driven.....	1	1							
• 3	19210-NXA-000	BODY, water pump.....	1	1							
• 4	19215-KA5-690	IMPELLER, water pump.....	1	1							
• 5	19219-NXA-003	GASKET, water pump body.....	1	1							
• 6	19220-NX5-000	COVER, water pump.....	1	1							
• 7	19229-NX5-003	GASKET, water pump cover.....	1	1							
• 8	19233-NX5-700	SHAFT, water pump.....	1	1							
• 9	50814-GZ5-003	BEARING, ball, radial, 6001.....	1	1							
• 10	90037-NX5-000	BOLT, water check, 6×10.....	1	1							
11	90301-HA7-670	NUT, lock, 20mm.....	1	1							
12	90432-121-000	WASHER, lock.....	1	1							
13	90447-KE1-000	WASHER, sealing, 7mm.....	1	1							
14	90543-273-000	PACKING, front fork drain valve.....	1	1							
15	90702-KAE-000	KEY, 4×5×10.....	1	1							
16	91201-965-000	OIL SEAL, 12×22×5.....	1	1							
17	91211-KA3-761	SEAL, water pump.....	1	1							
18	94301-08100	DOWEL PIN, 8×10.....	4	4							
19	96001-06028-00	BOLT, flange, SH, 6×28.....	4	4							
20	96001-06032-00	BOLT, flange, SH, 6×32.....	4	4							

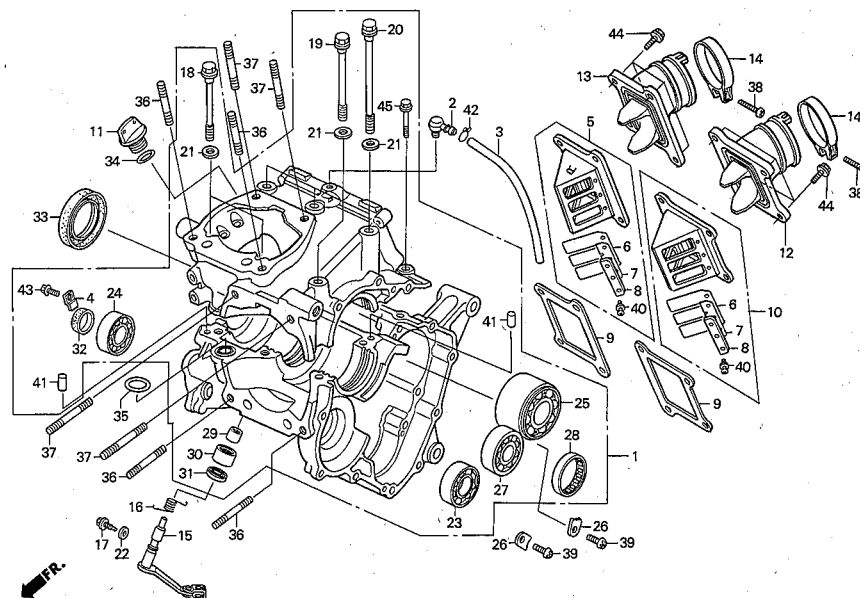
Block No.

E-7

Crankcase

2001 RS250R

2002 RS250R



Ref. No.	Part No.	Description	Reqd. No. '01 '02	Remarks	Ref. No.	Part No.	Description	Reqd. No. '01 '02	Remarks
• 1	11000-NXA-305	CRANKCASE SET	1 -		• 20	90083-NX5-000	BOLT, flange, 9×114	3 3	
•	11000-NXA-306	CRANKCASE SET	(1) 1		21	90445-MM4-000	WASHER, 9mm	6 6	
2	11106-GM2-300	JOINT, breather	1 1		22	90543-273-000	PACKING, front fork drain valve	1 1	
3	11206-KR8-000	TUBE, breather	1 1		• 23	91001-NX5-701	BEARING, ball, 20×47×14 special	1 1	
• 4	11209-NH3-760	STOPPER, seal	1 1		• 24	91005-NX5-771	BEARING, ball, radial, 6005Z spl.	1 1	
• 5	14100-NXA-003	VALVE ASSY., reed rear	1 1		• 25	91010-NX5-003	BEARING, ball, 5205-M	1 1	
• 6	14112-NX5-003	VALVE ONLY, B reed	4 4		26	91012-KA3-710	PLATE, countershaft bearing	2 2	
• 7	14113-NXA-003	SUPPORTER, reed valve	4 4		• 27	91012-NX5-000	BEARING, ball, 6204Z	1 1	
• 8	14121-NX5-003	STOPPER, reed valve	4 4		28	91022-KA4-740	BEARING, shell, 33×38×8	1 1	
• 9	14132-NXA-003	GASKET, reed valve	2 2		• 29	91023-NXA-003	BEARING, needle, 7×11×9	1 1	
• 10	14200-NXA-003	VALVE ASSY., reed front	1 1		30	91101-PZ9-000	BEARING, needle, 12×16×10	1 1	
• 11	15611-NF4-900	CAP, oil filler	1 1		31	91206-KV3-003	OIL SEAL, 12×19×5	1 1	
• 12	16210-NXA-000	INSULATOR, carburetor front	1 1		32	91255-723-671	PLUG, seal, 22×7	1 1	
• 13	16220-NXA-000	INSULATOR, carburetor rear	1 1		33	91261-MB0-003	OIL SEAL, 34×50×7	1 1	
14	95018-52250	BAND 52, AIR/C connecting tube	2 2		34	91304-MJ0-003	O-RING	1 1	
• 15	22810-NXA-000	LEVER COMP., clutch lever	1 1		35	91361-MB0-000	O-RING, 19×1.9	1 1	
16	22815-ML0-780	SPRING, clutch lever	1 1		36	92900-08032-3E	BOLT, stud II, 8×32	4 4	
17	90002-KG4-000	BOLT, special, 6mm	1 1		37	92900-08035-3E	BOLT, stud II, 8×35	4 4	
• 18	90081-NX5-000	BOLT, flange, 9×62.5	2 2		38	93500-04025-0G	SCREW, pan, 4×25	2 2	
• 19	90082-NX5-000	BOLT, flange, 9×87	1 1						

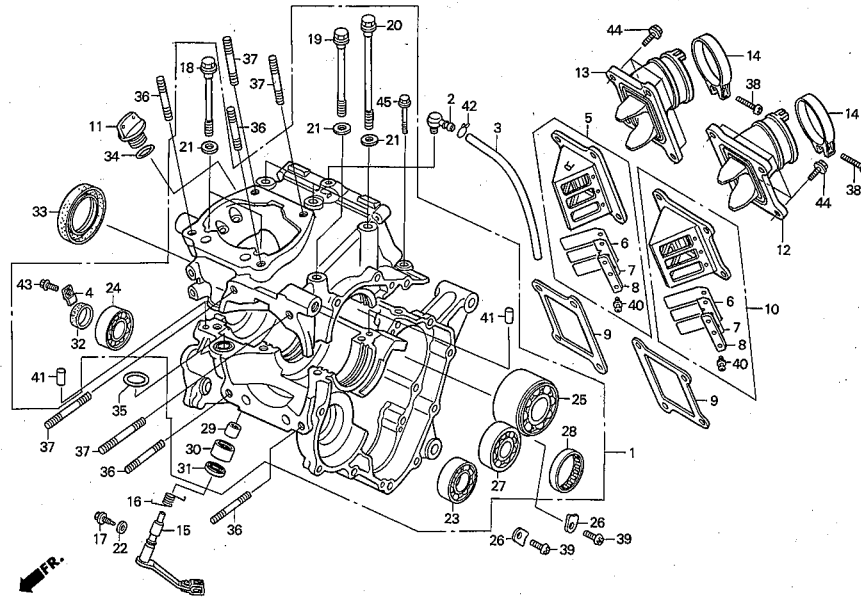
Block No.

E-7

Crankcase

2001 RS250R

2002 RS250R

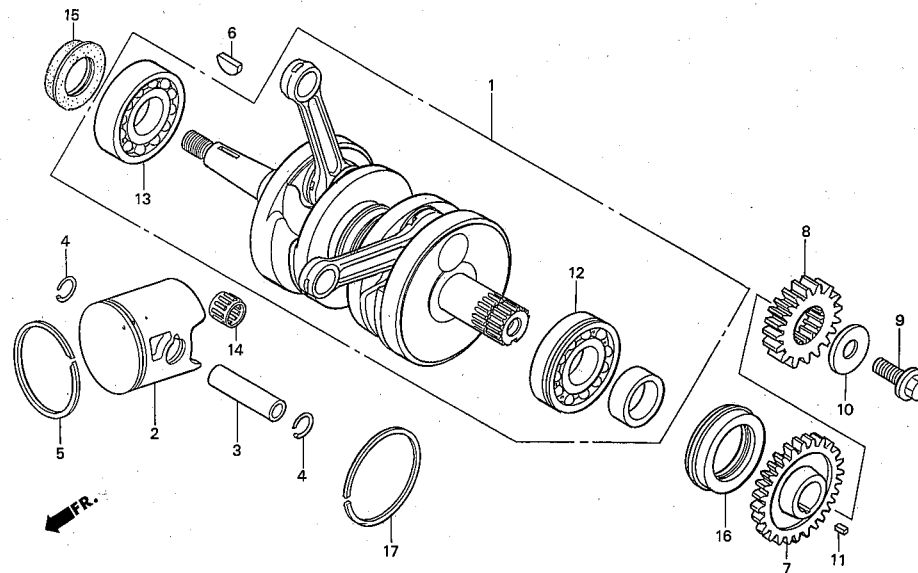


Ref. No.	Part No.	Description	Reqd. No.		Remarks	Ref. No.	Part No.	Description	Reqd. No.		Remarks
			'01	'02					'01	'02	
39	93600-06012-0A	SCREW, flat, 6×12	2	2							
40	93892-03008-08	SCREW-WASHER, 3×8	12	12							
41	94303-08140	DOWEL PIN, 8×14	2	2							
42	95002-02070	CLIP B7, tube	1	1							
43	96001-06012-00	BOLT, flange, 6×12	1	1							
44	96001-06022-00	BOLT, flange, 6×22	8	8							
45	96001-06025-00	BOLT, flange, 6×25	3	3							

Block No.

E-8

Crankshaft /
Piston
2001 RS250R
2002 RS250R



Ref. No.	Part No.	Description	Reqd. No. '01 '02	Remarks	Ref. No.	Part No.	Description	Reqd. No. '01 '02	Remarks
• 1	13000-NX5-790	CRANKSHAFT COMP.	1 1						
• 2	13100-NX5-790	PISTON COMP.	2 2						
3	13111-KV3-000	PIN, piston	2 2						
• 4	13112-NX5-700	CLIP, piston pin, 15mm	4 4						
• 5	13121-NX4-811	RING, piston	2 2						
•	13121-NX5-701	RING, piston	(2) -						
6	13331-360-000	KEY, special, woodruff 25×15	1 1						
• 7	13415-NXA-000	GEAR, balancer drive	1 1						
• 8	13615-NX5-710	GEAR, primary drive	1 1						
• 9	90013-415-000	BOLT, UBS, 12×28	1 1						
• 10	90402-MCL-000	WASHER, 12.5×34×5	1 1						
• 11	90701-NX5-000	KEY, 4×4×7	1 1						
• 12	91001-NX5-003	BEARING, ball radial, 6305L	1 1						
• 13	91003-NX5-003	BEARING, ball radial, 6305R	1 1						
• 14	91101-NX5-023	BEARING, con-rod small end	2 2						
15	91201-KM4-003	OIL SEAL, 25×38×8	1 1						
• 16	91202-NX5-771	OIL SEAL, 34×62×6	1 1						
17	94560-62200	SNAP RING, 62mm	1 1						

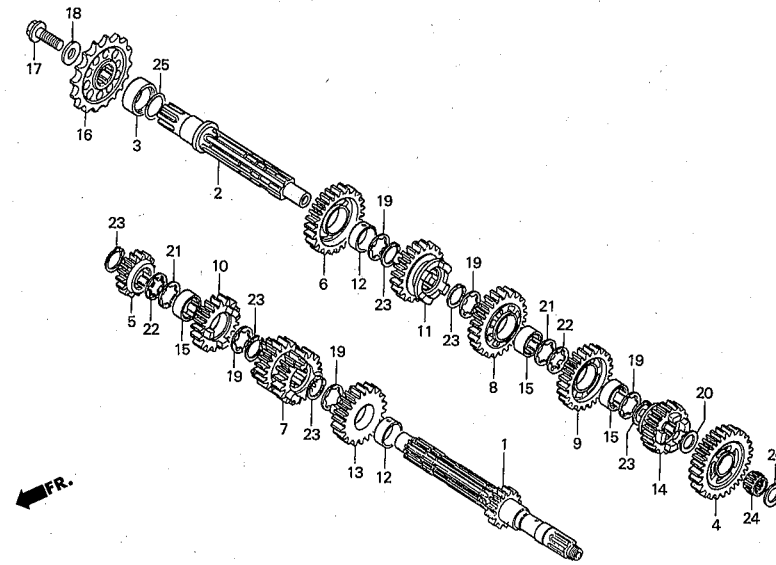
Block No.

E-9

Transmission

2001 RS250R

2002 RS250R



Ref. No.	Part No.	Description	Reqd. No. '01 '02	Remarks	Ref. No.	Part No.	Description	Reqd. No. '01 '02	Remarks
• 1	23211-NXA-000	SHAFT COMP., main, plan-1.....	(1) (1)	15T	•	23446-NX5-000	GEAR, M-3rd · 4th, plan-6.....	(1) (1)	18/20T
•	23212-NXA-000	SHAFT COMP., main, plan-2.....	1 1	14T	• 8	23461-NX5-000	GEAR, C-3rd, plan-1.....	(1) (1)	27T
•	23214-NXA-000	SHAFT COMP., main, plan-4.....	(1) (1)	16T	•	23462-NX5-000	GEAR, C-3rd, plan-2.....	1 1	27T
• 2	23221-NXA-610	COUNTERSHAFT.....	- 1		•	23463-NX5-000	GEAR, C-3rd, plan-3.....	(1) (1)	26T
•	23221-NX5-000	COUNTERSHAFT.....	1 -		• 9	23471-NX5-000	GEAR, C-4th, plan-1.....	(1) (1)	26T
• 3	23225-NX5-000	COLLAR, countershaft.....	1 1		•	23472-NX5-000	GEAR, C-4th, plan-2.....	(1) (1)	28T
• 4	23411-NX5-000	GEAR, C-1st, plan-1.....	(1) (1)	35T	•	23473-NX5-000	GEAR, C-4th, plan-3.....	1 1	31T
•	23412-NX5-000	GEAR, C-1st, plan-2.....	1 1	31T	•	23474-NX5-000	GEAR, C-4th, plan-4.....	(1) (1)	25T
•	23413-NX5-000	GEAR, C-1st, plan-3.....	(1) (1)	30T	• 10	23481-NX5-000	GEAR, M-5th, plan-1.....	(1) (1)	22T
•	23414-NX5-000	GEAR, C-1st, plan-4.....	(1) (1)	33T	•	23503-NX5-000	GEAR, M-6th, plan-3.....	1 1	21T
• 5	23421-NX5-000	GEAR, M-2nd, plan-1.....	(1) (1)	17T	• 11	23491-NX5-000	GEAR, C-5th, plan-1.....	(1) (1)	27T
•	23422-NX5-000	GEAR, M-2nd, plan-2.....	1 1	16T	•	23511-NX5-000	GEAR, C-6th, plan-1.....	1 1	24T
•	23424-NX5-000	GEAR, M-2nd, plan-4.....	(1) (1)	18T	• 12	23495-NXA-000	COLLAR, 25×28×10.5.....	2 2	
• 6	23431-NX5-000	GEAR, C-2nd, plan-1.....	(1) (1)	32T	• 13	23501-NX5-000	GEAR, M-6th, plan-1.....	(1) (1)	20T
•	23432-NX5-000	GEAR, C-2nd, plan-2.....	(1) (1)	29T	•	23502-NX5-000	GEAR, M-6th, plan-2.....	(1) (1)	23T
•	23433-NX5-000	GEAR, C-2nd, plan-3.....	1 1	28T	•	23503-NX5-000	GEAR, M-6th, plan-3.....	(1) (1)	21T
•	23434-NX5-000	GEAR, C-2nd, plan-4.....	(1) (1)	31T	•	23504-NX5-000	GEAR, M-6th, plan-4.....	(1) (1)	26T
• 7	23441-NX5-000	GEAR, M-3rd · 4th, plan-1.....	(1) (1)	17/19T	•	23505-NX5-000	GEAR, M-6th, plan-5.....	(1) (1)	24T
•	23442-NX5-000	GEAR, M-3rd · 4th, plan-2.....	(1) (1)	17/21T	•	23506-NX5-000	GEAR, M-6th, plan-6.....	1 1	22T
•	23443-NX5-000	GEAR, M-3rd · 4th, plan-3.....	(1) (1)	17/24T	• 14	23511-NX5-000	GEAR, C-6th, plan-1.....	(1) (1)	24T
•	23444-NX5-000	GEAR, M-3rd · 4th, plan-4.....	(1) (1)	18/21T	•	23512-NX5-000	GEAR, C-6th, plan-2.....	(1) (1)	27T
•	23445-NX5-000	GEAR, M-3rd · 4th, plan-5.....	1 1	18/24T	•	23514-NX5-000	GEAR, C-6th, plan-4.....	(1) (1)	29T

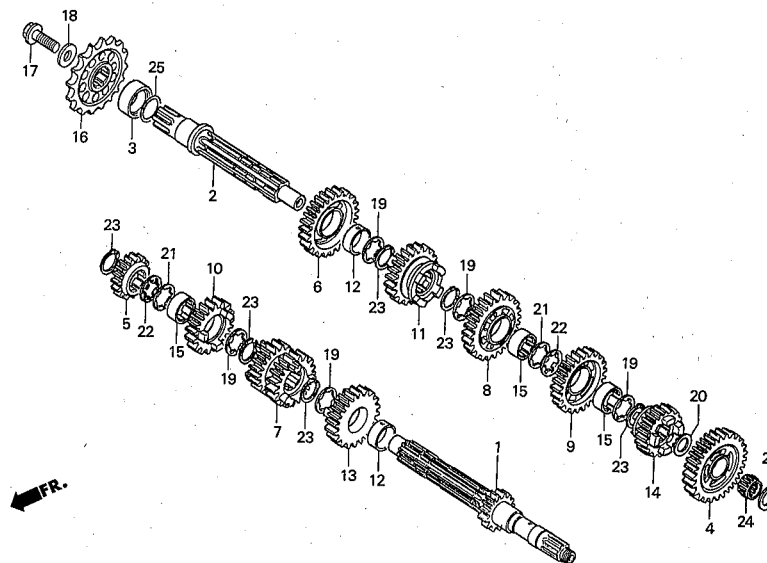
Block No.

E-9

Transmission

2001 RS250R

2002 RS250R

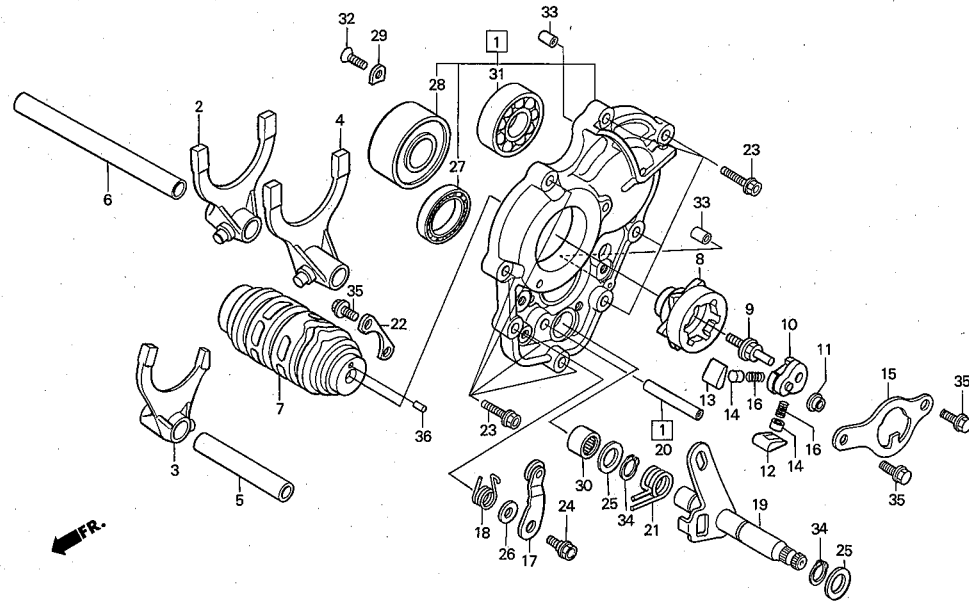


Ref. No.	Part No.	Description	Reqd. No. '01 '02	Remarks	Ref. No.	Part No.	Description	Reqd. No. '01 '02	Remarks
•	23515-NX5-000	GEAR, C-6th, plan-5.....	(1) (1)	26T					
•	23516-NX5-000	GEAR, C-6th, plan-6.....	1 1	23T					
15	23512-KV3-770	COLLAR, spline, 25×10.5.....	3 3						
• 16	23802-NX5-770	SPROCKET, drive, 15T.....	(1) (1)						
•	23803-NX5-770	SPROCKET, drive, 16T.....	1 1						
•	23804-NX5-770	SPROCKET, drive, 17T.....	(1) (1)						
•	23805-NX5-770	SPROCKET, drive, 18T.....	(1) (1)						
• 17	90001-NXA-610	BOLT, flange, UBS 10×45.....	- 1						
•	90013-NXA-000	BOLT, flange, UBS 12×28.....	1 -						
18	90402-PC6-000	WASHER, 12.5×34×5.....	1 -						
	90421-KAE-740	WASHER, 10mm.....	- 1						
19	90451-KE8-000	WASHER, spline, 25mm.....	5 5	t1.5					
20	90454-428-000	WASHER, thrust, 20mm.....	2 2						
21	90461-286-000	WASHER, B, thrust, 25mm.....	2 2	t1.6					
22	90462-323-000	WASHER, lock, 25mm.....	2 2	t2.0					
23	90601-107-000	CIRCLIP, 25mm.....	6 6						
24	91026-MN0-003	BEARING, needle, 20×24×11.....	1 1						
25	91201-ML3-873	D-RING, 23.75.....	1 1						

Block No.

E-10

Gearshift fork /
Gearshift drum
2001 RS250R
2002 RS250R



Ref. No.	Part No.	Description	Reqd. No. '01 '02	Remarks	Ref. No.	Part No.	Description	Reqd. No. '01 '02	Remarks
• 1	11130-NXA-000	HOLDER COMP., transmission bearing	1 1		• 20	24615-NX5-300	PIN, shift stopper	1 1	
• 2	24211-NXA-000	FORK, R. gear shif.....	1 1		21	24651-MW0-000	SPRING, shift return	1 1	
• 3	24221-NXA-000	FORK, C. gear shif.....	1 1		22	24655-KV3-000	PLATE, bearing set.....	1 1	
• 4	24231-NXA-000	FORK, L. gear shif.....	1 1		23	90004-GHB-680	BOLT, flange, NSHF, 6×28.....	8 8	
• 5	24265-KA3-760	SHAFT, shift fork M.....	1 1		24	90022-MG8-000	PIVOT, shift drum stopper.....	1 1	
• 6	24266-NX5-000	SHAFT C, shift fork.....	1 1		25	90428-958-000	WASHER, thrust 14mm B.....	2 2	
• 7	24311-NXA-000	DRUM, gear shift.....	1 1	1 up 5 down	26	90435-HB3-000	WASHER, 6.1mm.....	1 1	
• 8	24311-NXA-800	DRUM, gear shift.....	(1) (1)	1 down 5 up	27	91004-KY4-900	BEARING, ball radial, 6905U.....	1 1	
• 9	24312-NX5-000	CENTER, shift drum.....	1 1		• 28	91011-NX5-000	BEARING, ball 5205Z.....	1 1	
• 10	24315-HA0-000	PIN, shifter.....	1 1		29	91012-KA3-710	PLATE, countershaft bearing.....	1 1	
• 11	24321-KW6-902	SHIFTER, drum.....	1 1		30	91101-121-691	BEARING, needle, (7E-HK1412).....	1 1	
• 12	24322-HA0-000	COLLAR, shifter.....	1 1		31	91102-GE1-711	BEARING, radial, 6204.....	1 1	
• 13	24324-KA3-711	PAWL A, ratchet.....	1 1		32	93600-06012-0A	SCREW, flat, 6×12.....	1 1	
• 14	24325-KA3-711	PAWL B, ratchet.....	1 1		33	94303-08140	DOWEL PIN, 8×14.....	2 2	
• 15	24326-KBH-901	PLUNGER, pawl.....	2 2		34	94510-14000	CIRCLIP, external 14.....	2 2	
• 16	24328-NX5-000	PLATE, guide.....	1 1		35	96001-06014-00	BOLT, flange, SH, 6×14.....	4 4	
• 17	24329-KA3-740	SPRING, pawl plunger.....	2 2		36	96220-40080	ROLLER, 4×8.....	1 1	
• 18	24430-KA3-740	STOPPER COMP., drum.....	1 1						
• 19	24435-KZ4-690	SPRING, drum stopper.....	1 1						
• 20	24610-NX5-000	SPINDLE COMP., gear shift.....	1 1						

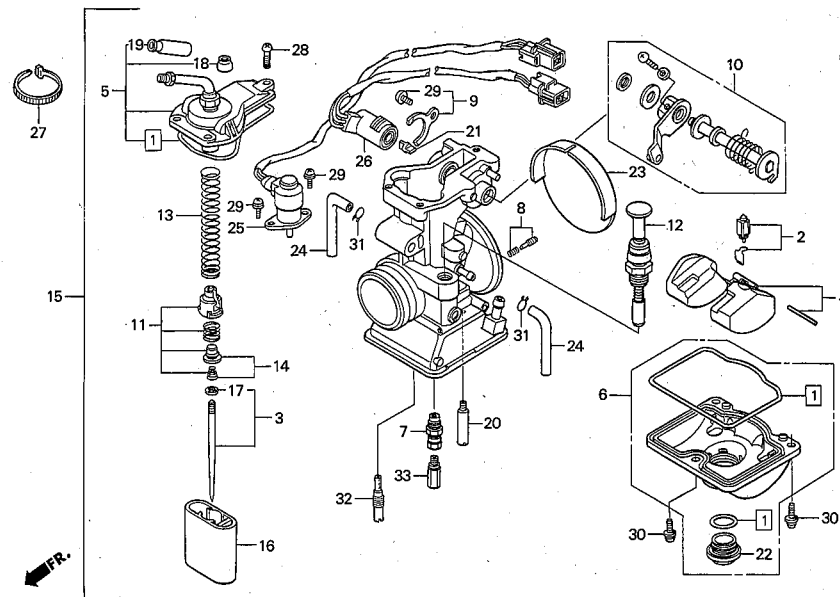
Block No.

E-11

Carburetor

2001 RS250R

2002 RS250R



Ref. No.	Part No.	Description	Reqd. No. '01 '02	Remarks	Ref. No.	Part No.	Description	Reqd. No. '01 '02	Remarks
• 1	16010-NX4-780	GASKET SET	1 1		•	16017-NX5-791	HOLDER SET, main jet	(1) (1)	MARK39
2	16011-KA3-741	VALVE SET, float.....	1 1		•	16041-NX5-791	HOLDER SET, main jet	1 1	MARK37
• 3	16012-NX4-780	NEEDLE SET, jet 1267/3466/2351/1159	1 1	67-34	• 8	16017-NX6-000	SCREW SET, A	1 1	
•	16201-NX4-780	NEEDLE SET, jet 1265/3466/2351/1159	(1) (1)	65-34	• 9	16018-NX4-780	SET PLATE, set.....	1 1	#2
•	16202-NX4-780	NEEDLE SET, jet 1266/3466/2351/1159	(1) (1)	66-34	• 10	16033-NX4-780	LEVER COMP SET, throttle.....	1 1	#2
•	16203-NX4-780	NEEDLE SET, jet 1268/3466/2351/1159	(1) (1)	68-34	• 11	16037-NX4-781	SPRING SET, throttle	1 1	
•	16204-NX4-780	NEEDLE SET, jet 1269/3466/2351/1159	(1) (1)	69-34	• 12	16046-NX4-681	VALVE, starter	1 1	
•	16205-NX4-780	NEEDLE SET, jet 1270/3466/2351/1159	(1) (1)	70-34	• 13	16050-NX5-791	SPRING, compression coil	1 1	
•	16206-NX4-780	NEEDLE SET, jet 1271/3466/2351/1159	(1) (1)	71-34	• 14	16070-NX4-781	SET COLLAR SET, spring.....	1 1	
•	16207-NX4-780	NEEDLE SET, jet 1272/3466/2351/1159	(1) (1)	72-34	• 15	16101-NXA-003	CARBURETOR ASSY. #1	1 (1)	
•	16230-NX4-780	NEEDLE SET, jet 1265/3366/2350/1159	(1) (1)	65-33	•	16101-NXA-611	CARBURETOR ASSY. #1	(1) 1	
•	16231-NX4-780	NEEDLE SET, jet 1266/3366/2350/1159	(1) (1)	66-33	•	16102-NXA-003	CARBURETOR ASSY. #2	1 (1)	contains throttle sensor
•	16232-NX4-780	NEEDLE SET, jet 1267/3366/2350/1159	(1) (1)	67-33	•	16102-NXA-611	CARBURETOR ASSY. #2	(1) 1	contains throttle sensor
•	16233-NX4-780	NEEDLE SET, jet 1268/3366/2350/1159	(1) (1)	68-33	• 16	16111-NX4-780	THROTTLE VALVE #6.0	(1) (1)	
•	16234-NX4-780	NEEDLE SET, jet 1269/3366/2350/1159	(1) (1)	69-33	•	16112-NX4-780	THROTTLE VALVE #5.0	(1) (1)	
•	16235-NX4-780	NEEDLE SET, jet 1270/3366/2350/1159	(1) (1)	70-33	•	16113-NX4-780	THROTTLE VALVE #5.5	1 1	
•	16236-NX4-780	NEEDLE SET, jet 1271/3366/2350/1159	(1) (1)	71-33	• 17	16115-GHB-610	CLIP, bar	1 1	
•	16237-NX4-780	NEEDLE SET, jet 1272/3366/2350/1159	(1) (1)	72-33	• 18	16118-NX4-711	CAP, rubber	1 1	
• 4	16013-NX4-780	FLOAT SET	1 1		19	16118-166-004	CAP, cable sealing	1 1	
• 5	16014-NX4-711	TOP SET	1 1		• 20	16121-NX5-791	JET COMP., power jet #38	(1) (1)	
• 6	16015-NX4-780	CHAMBER SET, float.....	1 1		•	16122-NX4-780	JET COMP., power jet #40	1 (1)	
• 7	16017-NX4-780	HOLDER SET, main jet	(1) (1)	MARK36					

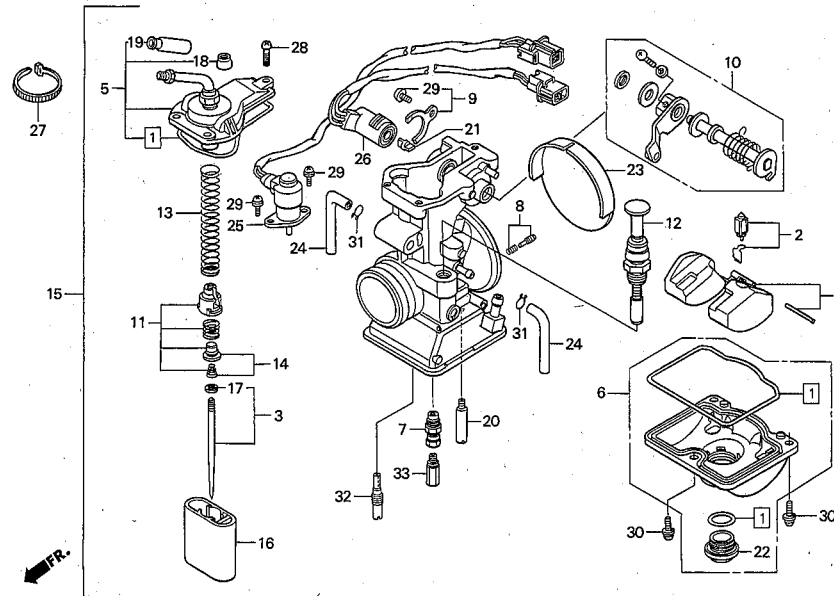
Block No.

E-11

Carburetor

2001 RS250R

2002 RS250R



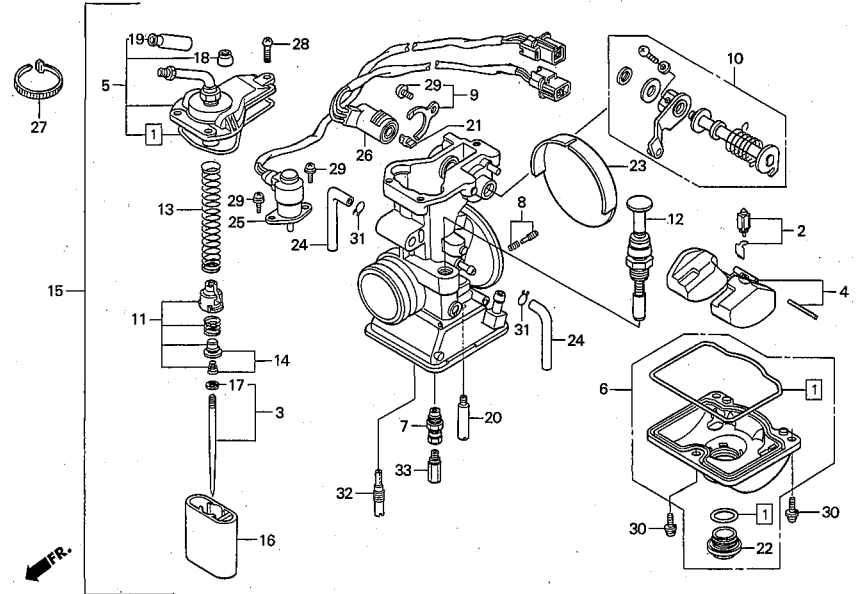
Ref. No.	Part No.	Description	Reqd. No. '01 '02	Remarks	Ref. No.	Part No.	Description	Reqd. No. '01 '02	Remarks
•	16122-NX5-791	JET COMP., power jet #42.....	(1) (1)						
•	16124-NX4-780	JET COMP., power jet #45.....	(1) (1)						
•	16123-NX5-791	JET COMP., power jet #48.....	(1) 1						
•	16126-NX4-780	JET COMP., power jet #50.....	(1) (1)						
	21 16145-MZ2-780	JOINT, connector.....	1 1	#2					
•	22 16162-NX4-780	DRAIN BOLT.....	1 1						
•	23 16196-NX6-010	CAP.....	1 -						
•	24 16199-NX4-780	TUBE, air vent.....	2 2						
•	25 16200-NX5-791	VALVE ASSY., solenoid.....	1 1						
•	26 17135-NX5-791	SENSOR ASSY., throttle.....	1 1	#2					
•	27 90652-ND5-000	TIE-WRAP 2.4 X 92.....	1 1						
	28 93500-04012-0A	SCREW-pan 4 X 12.....	3 3						
	29 93892-04010-00	SCREW-WASHER 4 X 10.....	2 2	#1					
			3 3	#2					
	30 93892-04014-18	SCREW-WASHER 4 X 14.....	3 3						
	31 95002-02079	CLIP B17, tube.....	2 2						
	32 99103-440-0400	JET, slow #40.....	(1) (1)						
		99103-440-0420	JET, slow #42.....	(1) (1)					
		99103-440-0450	JET, slow #45.....	1 1					
		99103-440-0480	JET, slow #48.....	(1) (1)					
		99103-440-0500	JET, slow #50.....	(1) (1)					
		99113-GHB-1500	JET, main #150.....	(1) (1)					
		99113-GHB-1520	JET, main #152.....	(1) (1)					
		99113-GHB-1550	JET, main #155.....	(1) (1)					
		99113-GHB-1580	JET, main #158.....	(1) (1)					
		99113-GHB-1600	JET, main #160.....	(1) (1)					
		99113-GHB-1620	JET, main #162.....	(1) (1)					
		99113-GHB-1650	JET, main #165.....	(1) (1)					
		99113-GHB-1680	JET, main #168.....	(1) (1)					
		99113-GHB-1700	JET, main #170.....	(1) (1)					
		99113-GHB-1720	JET, main #172.....	(1) (1)					
		99113-GHB-1750	JET, main #175.....	(1) (1)					
		99113-GHB-1780	JET, main #178.....	(1) (1)					
		99113-GHB-1800	JET, main #180.....	(1) (1)					
		99113-GHB-1820	JET, main #182.....	(1) (1)					
		99113-GHB-1850	JET, main #185.....	(1) (1)					
		99113-GHB-1880	JET, main #188.....	(1) (1)					
		99113-GHB-1900	JET, main #190.....	(1) (1)					
		99113-GHB-1920	JET, main #192.....	(1) (1)					
		99113-GHB-1950	JET, main #195.....	(1) (1)					#1
				1 1					#2
		99113-GHB-1980	JET, main #198.....	(1) (1)					
		99113-GHB-2000	JET, main #200.....	1 1					#1

Block No.

E-11

Carburetor

2001 RS250R
2002 RS250R

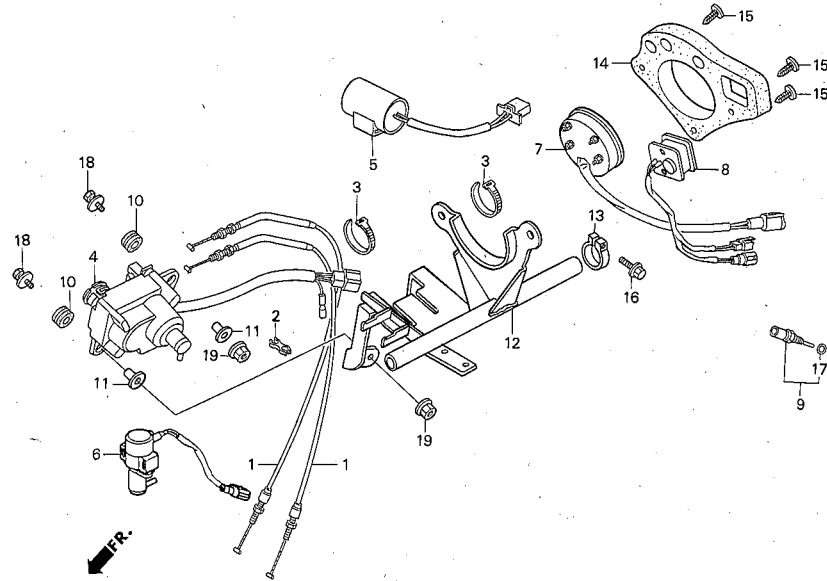


Ref. No.	Part No.	Description	Reqd. No. '01 '02	Remarks	Ref. No.	Part No.	Description	Reqd. No. '01 '02	Remarks
	99113-GHB-2000	JET, main #200	(1) (1)	#2					
•	99113-GHB-2050	JET, main #205	(1) (1)						
•	99113-GHB-2100	JET, main #210	(1) (1)						
•	99113-GHB-2150	JET, main #215	(1) (1)						

Block No.

F-1

Servo motor / Meter /
Meter panel
2001 RS250R
2002 RS250R

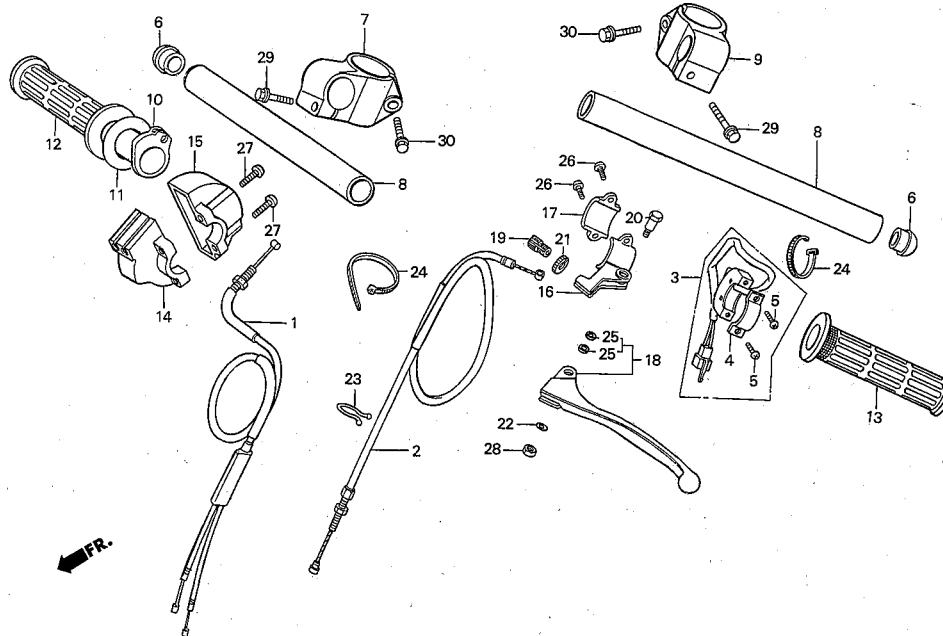


Ref. No.	Part No.	Description	Reqd. No. '01 '02	Remarks	Ref. No.	Part No.	Description	Reqd. No. '01 '02	Remarks
• 1	17950-NX5-000	CABLE COMP., control	2 2						
• 2	17955-NF5-750	HOLDER, cable	1 1						
• 3	22872-NF5-760	BAND 200	2 2						
• 4	31420-NF5-761	MOTOR ASSY., servo	1 1						
• 5	31700-NX5-000	UNIT ASSY., condenser.....	1 1						
• 6	36190-NX5-770	VALVE ASSY., ram solenoid	1 1						
• 7	37250-NX4-731	TACHOMETER ASSY.	1 1						
• 8	37460-NX4-701	INDICATOR ASSY., water temp.....	1 1						
• 9	37870-NF4-611	SENSOR ASSY., T.W.	1 1						
10	43516-HA2-000	RUBBER, oil cup mount	2 2						
11	50324-425-010	COLLAR, 6.3×13	2 2						
• 12	50810-NXA-000	STAY COMP., center cowl	1 1						
• 13	50811-NX4-680	BAND, D25	1 1						
• 14	50815-NXA-610	PANEL, meter	(1) 1						
•	50815-NX4-000	PANEL, meter	1 -						
• 15	50816-NX4-000	CLIP, X'mas tree.....	3 3						
16	90004-GHB-670	BOLT, flange, SHF, 6×25	1 1						
17	91307-PK2-005	O-RING, 9.5×1.5	1 1						
18	93404-06028-00	BOLT WASHER, 6×28	2 2						
19	94050-06000	NUT, flange, 6 mm	2 2						

Block No.

F-2

Cable / Switch /
Handlebar
2001 RS250R
2002 RS250R

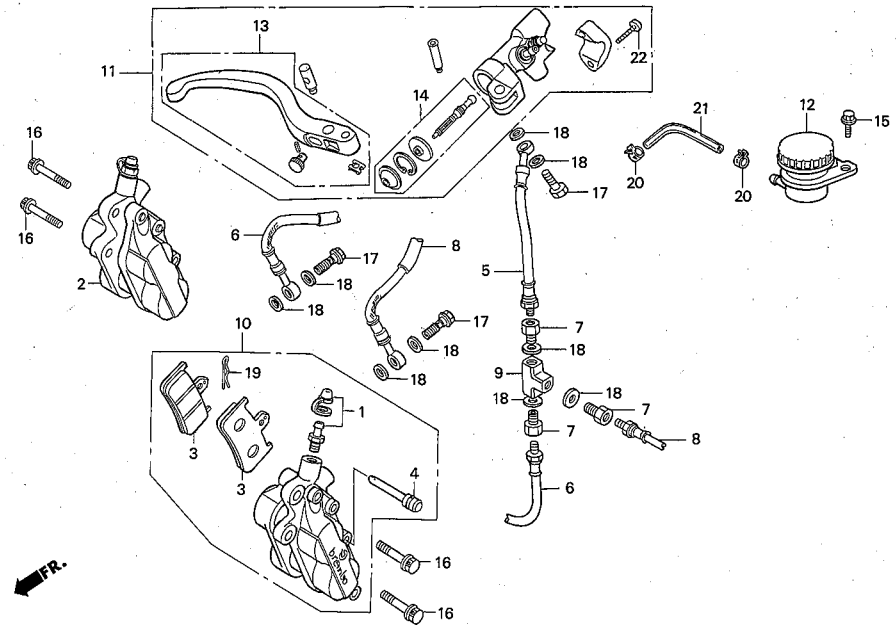


Ref. No.	Part No.	Description	Reqd. No.		Remarks	Ref. No.	Part No.	Description	Reqd. No.		Remarks
			'01	'02					'01	'02	
• 1	17910-NXA-000	CABLE COMP., throttle.....	1	1		21	90321-KF0-000	NUT, fixing.....	1	1	
• 2	22870-NX5-000	CABLE COMP., clutch.....	1	1		• 22	90501-NX5-680	COLLAR, 6×8.5×1.2.....	1	1	
• 3	35130-NX5-000	SWITCH ASSY., engine stop.....	1	1		23	90659-MR5-000	CLIP harness.....	1	1	
4	35132-KR5-013	PLATE, set.....	1	1		24	91058-MG9-681	BAND, self lock.....	2	2	
5	35133-KJ2-003	SCREW, pan, 4×12.....	2	2		• 25	91058-NX6-801	BEARING, ball radial 6×10×2.5.....	2	2	
• 6	53105-NF4-770	CAP, handle pipe.....	2	2		26	93500-05016-0A	SCREW, pan, 5×16.....	2	2	
• 7	53110-NXA-000	HOLDER, R. handle.....	1	1		27	93500-05020-0G	SCREW, pan, 5×20.....	2	2	
• 8	53111-NX4-000	HANDLEBAR.....	2	2		28	94001-06000-0S	NUT, hex. 6 mm.....	1	1	
• 9	53120-NXA-000	HOLDER, L. handle.....	1	1		29	96001-06022-00	BOLT, flange, SH, 6×22.....	2	2	
• 10	53141-NX5-770	PIPE, throttle grip.....	1	1		30	96500-08035-00	BOLT, flange, DR, 8×35.....	2	2	
• 11	53142-NX5-770	RING leaf.....	1	1							
12	53165-ML7-010	GRIP, R. handle.....	1	1							
13	53166-ML7-000	GRIP, L. handle.....	1	1							
• 14	53167-NX5-950	HOUSING, A grip.....	1	1							
• 15	53168-NX5-950	HOUSING, B grip.....	1	1							
16	53172-430-003	BRACKET, L. handle lever.....	1	1							
17	53173-376-000	HOLDER, lever bracket.....	1	1							
• 18	53178-NX5-680	LEVER, L. steering handle.....	1	1							
19	53192-KA4-710	BOLT, wire adjust.....	1	1							
• 20	90114-NX5-680	BOLT, lever pivot.....	1	1							

Block No.

F-3

Front brake caliper /
Front brake master cylinder
2001 RS250R
2002 RS250R

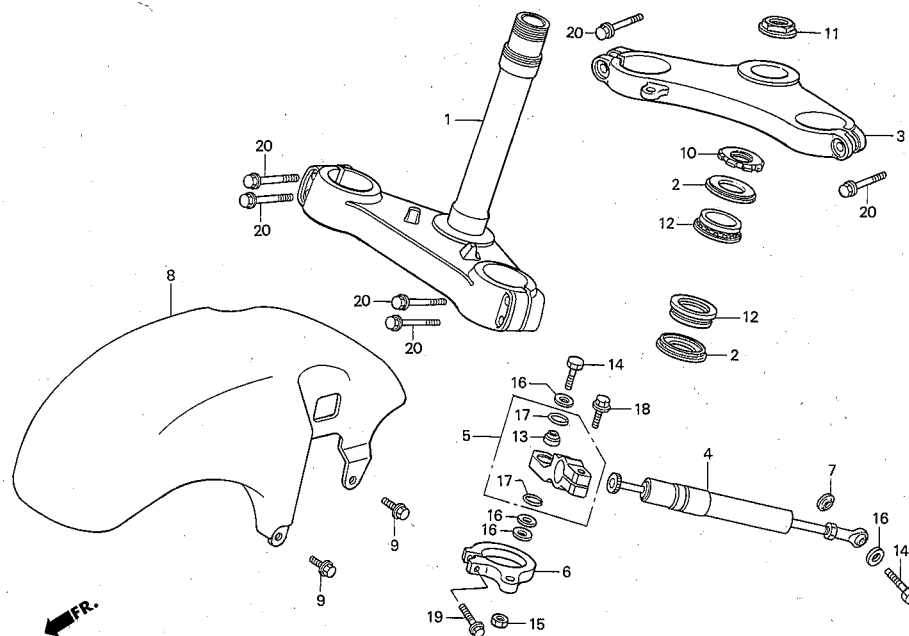


Ref. No.	Part No.	Description	Reqd. No.		Remarks	Ref. No.	Part No.	Description	Reqd. No.		Remarks
			'01	'02					'01	'02	
• 1	43352-NX5-004	BLEEDER COMP.....	2	2		• 21	95003-11015-60	VINYL-TUBE, 5×9×150	1	1	
• 2	45100-NX5-770	CALIPER ASSY., R. front.....	1	1		• 22	96600-06020-07	BOLT, socket 6×20.....	2	2	
• 3	45105-NX4-770	PAD COMP., brake (t9.2, Silver).....	4	4	for SUS disk						
• 4	45109-NX5-004	PIN, hanger	2	2							
• 5	45125-NX5-681	HOSE A, front brake	1	1							
• 6	45126-NX5-681	HOSE B, R. front brake	1	1							
7	45127-KZ4-003	JOINT, brake hose	3	3							
• 8	45127-NX5-681	HOSE B, L. front brake.....	1	1							
• 9	45129-NX5-680	JOINT, 3WAY	1	1							
• 10	45200-NX5-770	CALIPER ASSY., L. front	1	1							
• 11	45500-NX5-680	MASER CYLINDER ASSY., front brake.....	1	1	brenbo						
• 12	45520-NX6-000	CUP ASSY., front master cylinder	1	1							
• 13	53175-NX5-680	LEVER SET, front brake L20.....	1	1							
• 14	53176-NX5-680	PUSH ROD SET	1	1							
15	90108-GK1-000	BOLT, flange, SH, 6×12.....	1	1							
• 16	90111-NX4-710	BOLT, flange, 10×31.....	4	4							
• 17	90145-NX4-710	OIL BOLT, 10×21.5	3	3							
18	90601-ZE1-000	WASHER, plug drain, 10 mm	9	9							
19	94251-05000	PIN, lock, 5 mm	1	1							
20	95002-40850-08	CLAMP, D 8.5 TUBE.....	2	2							

Block No.

F-4

Steering stem / Steering damper /
Front fender
2001 RS250R
2002 RS250R



Ref. No.	Part No.	Description	Reqd. No. '01 '02	Remarks	Ref. No.	Part No.	Description	Reqd. No. '01 '02	Remarks
• 1	53200-NXA-000	STEM COMP., steering (32.5).....	1 1		19	96001-06035-00	BOLT, flange, SH, 6×35.....	1 1	
• 2	53214-MR7-003	DUST SEAL, steering head.....	2 2		20	96500-08035-00	BOLT, flange, DR, 8×35.....	6 6	
• 3	53230-NXA-000	BRIDGE, fork top (32.5).....	1 1						
• 4	53700-NXA-003	DAMPER ASSY., steering.....	1 -						
•	53700-NXA-611	DAMPER ASSY., steering.....	(1) 1						
• 5	53705-NF5-760	HOLDER ASSY., steering damper.....	1 1						
• 6	53710-NXA-000	STAY, steering damper.....	1 1						
• 7	53713-NC8-000	SPACER, steering damper.....	1 1						
• 8	61100-NXA-000	FENDER, front.....	1 -						
•	61100-NXA-610	FENDER, front.....	(1) 1						
• 9	90108-GK1-000	BOLT, flange, SH, 6×12.....	4 4						
• 10	90302-MR7-000	THREAD B, steering head top.....	1 1						
• 11	90302-NF5-760	NUT, steering stem.....	1 1						
• 12	91016-MR7-003	BEARING, head pipe.....	2 2						
• 13	91060-NL0-003	BEARING, spherical, 8 mm.....	1 1						
• 14	92201-08035-0A	BOLT, hex., 8×35.....	2 2						
• 15	94002-08000-0S	NUT, hex., 8 mm.....	1 1						
• 16	94102-08000	WASHER, plain, 8 mm.....	4 4						
• 17	94601-17000	CLIP, piston pin, 17 mm.....	2 2						
• 18	96001-06028-00	BOLT, flange, SH, 6×28.....	1 1						

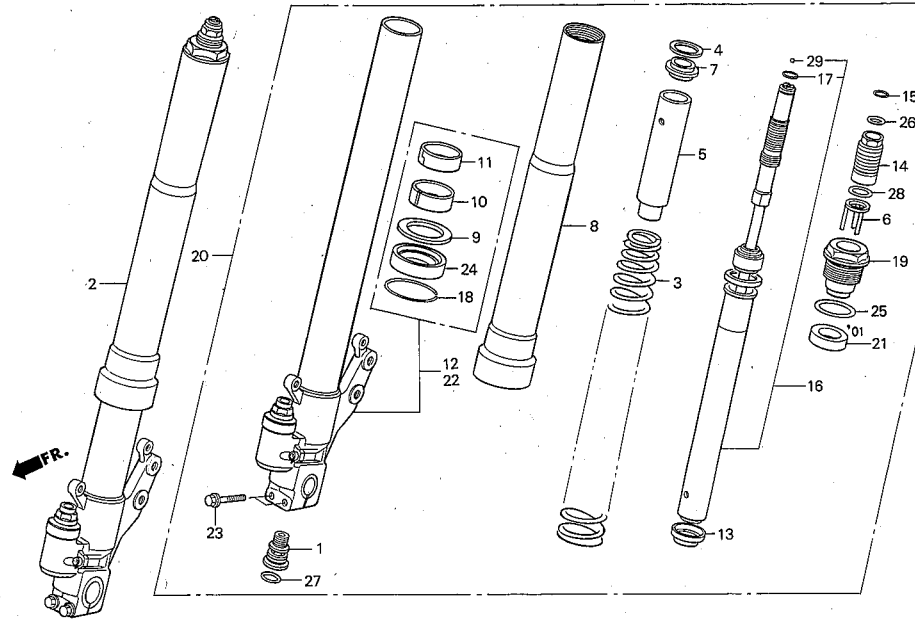
Block No.

F-5

Front fork

2001 RS250R

2002 RS250R



Ref. No.	Part No.	Description	Reqd. No. '01 '02	Remarks	Ref. No.	Part No.	Description	Reqd. No. '01 '02	Remarks
• 1	51126-NXA-003	BOLT, socket	2 2		15	51423-MT7-003	RING B, stopper	2 2	
• 2	51400-NXA-003	FORK ASSY., R. front	1 -		• 16	51430-NXA-003	DAMPER COMP., front	2 -	
•	51400-NXA-611	FORK ASSY., R. front	- 1		• 51430-NXA-611	DAMPER COMP., front	(2) 2		
• 3	51401-NXA-003	SPRING, front fork	2 2		• 17	51436-NF5-761	EXPANDER	2 2	
•	51402-NXA-003	SPRING, front fork (SOFT)	(2) (2)		18	51447-KA4-711	RING, oil seal stop	2 2	
•	51403-NXA-003	SPRING, front fork (HARD)	(2) (2)		19	51454-MCF-003	BOLT, front fork	2 2	
4	51403-MA0-771	SEAT, spring	2 2		• 20	51500-NXA-003	FORK ASSY., L. front	1 -	
5	51403-MCF-003	COLLAR, spring	2 -	l =100	•	51500-NXA-611	FORK ASSY., L. front	- 1	
•	51403-NXA-003	COLLAR, spring	(2) 2	l =95					
6	51404-MT7-003	PLATE COMP., spring adjust	2 2		21	51517-MCF-003	RUBBER, stopper	2 -	
7	51406-MW4-003	STOPPER, spring seat	2 2		• 22	51520-NXA-003	PIPE COMP., L. slide	1 -	
• 8	51410-NXA-003	TUBE, outer	2 2		•	51520-NXA-611	PIPE COMP., L. slide	(1) 1	
9	51412-KA4-711	RING, buck up	2 2		23	90109-MR7-000	BOLT, flange, DR, 8×45	4 4	
• 10	51414-NXA-003	BUSH, guide	2 -		• 24	91255-KS6-831	SEAL, oil, 43×54×11	2 -	
	51414-MAZ-003	BUSH, guide	(2) 2		•	91255-MCF-003	SEAL, oil, 43×54×11	(2) 2	
• 11	51415-NXA-003	BUSH, slide	2 -		25	91258-GF4-003	O-RING, 44.7×2.4	2 2	
	51415-MAZ-003	BUSH, slide	(2) 2		26	91311-MR7-003	O-RING, 13.8×2.4	2 2	
• 12	51420-NXA-003	PIPE COMP., R. slide	1 -		27	91351-MCF-003	O-RING, 17.8×2.4	2 2	
•	51420-NXA-611	PIPE COMP., R. slide	(1) 1		28	91351-MT7-003	O-RING, 23.7×2.4	2 2	
• 13	51421-NXA-003	PLATE, centering	2 2		29	96211-04000	BALL, steel, 4	2 2	
14	51422-MT7-003	ADJUSTER, spring	2 2						

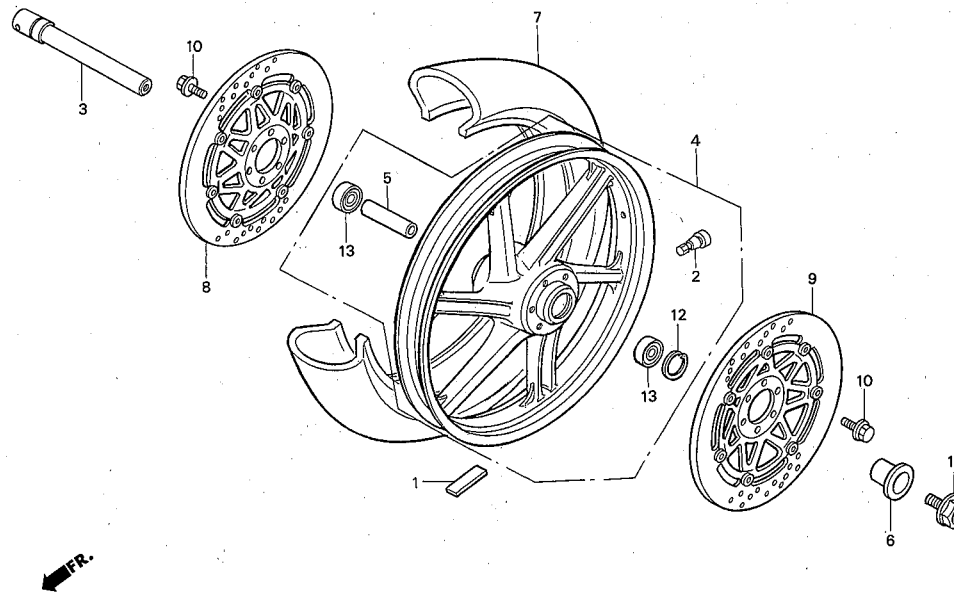
Block No.

F-6

Front wheel

2001 RS250R

2002 RS250R



Ref. No.	Part No.	Description	Reqd. No.		Remarks	Ref. No.	Part No.	Description	Reqd. No.		Remarks
			'01	'02					'01	'02	
• 1	42720-NC8-000	WEIGHT, balancer, 10G	N	N							
•	42721-NC8-000	WEIGHT, balancer, 20G	N	N							
2	42753-ML7-004	VALVE, rim (DUN).....	1	1							
• 3	44300-NXA-000	AXLE ASSY., front wheel.....	1	1							
• 4	44600-NXA-610	WHEEL COMP., front 3.50×17.....	-	1	Black						
•	44600-NX5-770	WHEEL COMP., front 3.50×17.....	1	-	White						
•	44600-NX5-850	WHEEL COMP., front 3.75×17.....	(1)	(1)	White						
• 5	44620-ND5-750	COLLAR, front axle center.....	1	1							
• 6	44621-NF5-750	COLLAR, front wheel side.....	1	1							
7		TIRE, front, 120/60 R17 (DUN).....	1	1	No Sale by HRC						
• 8	45120-NX4-681	DISK COMP., R. front brake.....	1	1	SUS (Steel)						
• 9	45220-NX5-681	DISK COMP., L. front brake.....	1	1	SUS (Steel)						
10	90003-MC7-000	BOLT, flange, 6×20	12	12							
11	90305-ML7-000	BOLT, front axle	1	1							
12	94520-42000	CIRCLIP, internal, 42.....	1	1							
13	96150-60040-10	BEARING, ball radial, 6004.....	2	2							

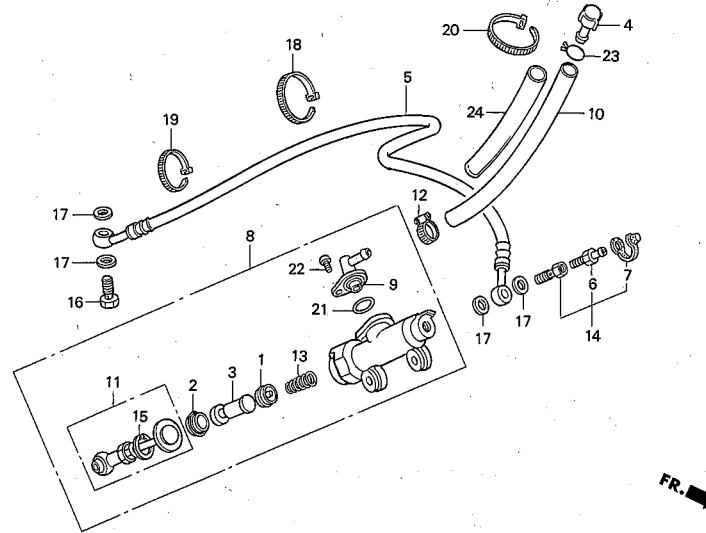
Block No.

F-7

Rear brake master cylinder

2001 RS250R

2002 RS250R



Ref. No.	Part No.	Description	Reqd. No.		Remarks	Ref. No.	Part No.	Description	Reqd. No.		Remarks
			'01	'02					'01	'02	
• 1	04601-ND5-760	CUP, primary.....	1	1		21	91212-422-006	O-RING, 14.8×2.4.....	1	1	
• 2	04602-ND5-760	CUP, secondary	1	1		22	93893-04012-18	SCREW WASHER, 4×12.....	1	1	
• 3	04603-NF4-770	PISTON, rear	1	1		23	95002-02120	CLIP, B12, tube.....	1	1	
4	17370-419-700	PLUG, breather tube.....	1	1		• 24	95003-45012-10	VINYL-TUBE, 14×18×120	1	1	
• 5	43310-NXA-000	HOSE, rear brake.....	1	1							
6	43352-568-003	SCREW, bleeder.....	1	1							
7	43353-461-771	CAP, bleeder.....	1	1							
• 8	43500-NF4-770	MASTER CYLINDER ASSY., rear.....	1	1							
9	43503-MB2-006	CONNECTOR, master cylinder.....	1	1							
• 10	43503-NF4-000	VINYL-TUBE, 9×13×240.....	1	1							
• 11	43504-NF4-770	ROD ASSY.	1	1							
• 12	43541-ND5-750	CLAMP	1	1							
• 13	45506-ND5-751	SPRING	1	1							
• 14	45530-NF4-650	BOLT ASSY., oil bleeder.....	1	1							
15	46182-500-013	CIRCLIP, master cylinder	1	1							
16	90145-MS9-612	OIL BOLT, 10×22	1	1							
17	90601-ZE1-000	WASHER, plug drain, 10 mm	4	4							
• 18	90651-NC8-000	TIE-WRAP, 3.6×281.....	1	1							
• 19	90652-ND5-000	TIE-WRAP, 2.4×92	1	1							
20	91058-MG9-681	BAND, self lock.....	1	1							

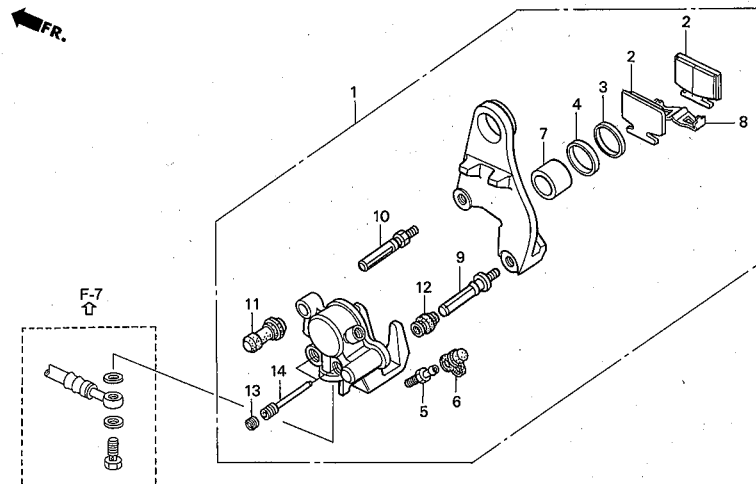
Block No.

F-8

Rear brake caliper

2001 RS250R

2002 RS250R



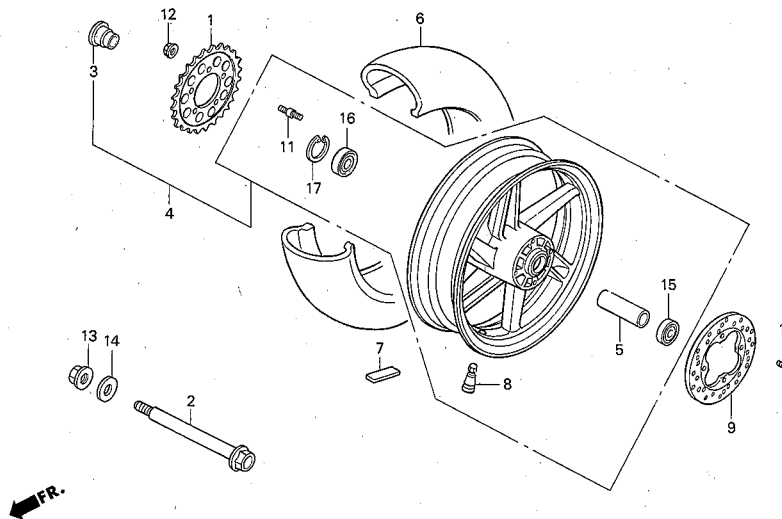
Ref. No.	Part No.	Description	Reqd. No. '01 '02	Remarks	Ref. No.	Part No.	Description	Reqd. No. '01 '02	Remarks
• 1	43100-NXA-000	CALIPER ASSY., rear.....	1 1						
• 2	43105-NF5-611	PAD COMP.	2 2						
3	43109-MA3-006	DUST SEAL.....	1 1						
4	43209-MA3-006	SEAL, piston.....	1 1						
5	43352-568-003	SCREW, bleeder.....	1 1						
6	43353-461-771	CAP, bleeder.....	1 1						
7	45107-GM9-711	PISTON.....	1 1						
8	45108-GM9-741	SPRING, pad.....	1 1						
9	45131-HA5-672	PIN BOLT, A.....	1 1						
10	45131-166-016	PIN BOLT.....	1 1						
11	45132-166-016	BUSH, pin.....	1 1						
12	45133-MA3-006	BOOT, B.....	1 1						
13	45203-MG3-016	PLUG, pin.....	2 2						
14	45215-GE2-016	HANGER PIN.....	2 2						

Block No.

F-9

Rear wheel

2001 RS250R
2002 RS250R



Ref. No.	Part No.	Description	Reqd. No. '01 '02	Remarks	Ref. No.	Part No.	Description	Reqd. No. '01 '02	Remarks
• 1	41203-NXA-000	SPROCKET, final driven, 33T.....	(1) (1)		• 15	91050-NXA-003	BEARING, ball radial, EC-6204LLU	1 1	
•	41204-NXA-000	SPROCKET, final driven, 34T.....	(1) (1)		16	91053-MAZ-003	BEARING, ball radial, 6205×2	1 1	
•	41205-NXA-000	SPROCKET, final driven, 35T.....	(1) (1)		17	94520-52000	CIRCLIP, internal, 52.....	1 1	
•	41206-NXA-000	SPROCKET, final driven, 36T.....	1 1						
•	41207-NXA-000	SPROCKET, final driven, 37T.....	(1) (1)						
•	41208-NXA-000	SPROCKET, final driven, 38T.....	(1) (1)						
• 2	42301-NXA-000	AXLE, rear wheel	1 1						
• 3	42304-NXA-000	COLLAR, rear wheel side	1 1						
• 4	42610-NXA-000	WHEEL SET, rear 5.50×17	1 -	White					
•	42610-NXA-610	WHEEL SET, rear 5.50×17	- 1	Black					
• 5	42620-NXA-000	COLLAR, rear wheel distance	1 1						
6		TIRE, rear, 165/55 R17 (DUN)	1 1	No Sale by HRC					
• 7	42720-NC8-000	WEIGHT, balancer, 10G	N N						
•	42721-NC8-000	WEIGHT, balancer, 20G	N N						
8	42753-ML7-004	VALVE, rim (DUN).....	1 1						
9	45351-KAB-000	DISK, L. front brake.....	1 1						
10	90112-GZ0-000	BOLT, disk 8×20.....	4 4						
11	90135-HA7-770	BOLT, stud 2, 10×22.....	5 5						
12	90304-GE8-003	NUT, U, flange, 10 mm.....	5 5						
13	90305-KZ4-891	NUT, U, 18 mm.....	1 1						
14	90401-KZ4-890	WASHER 18×32×2.....	1 1						

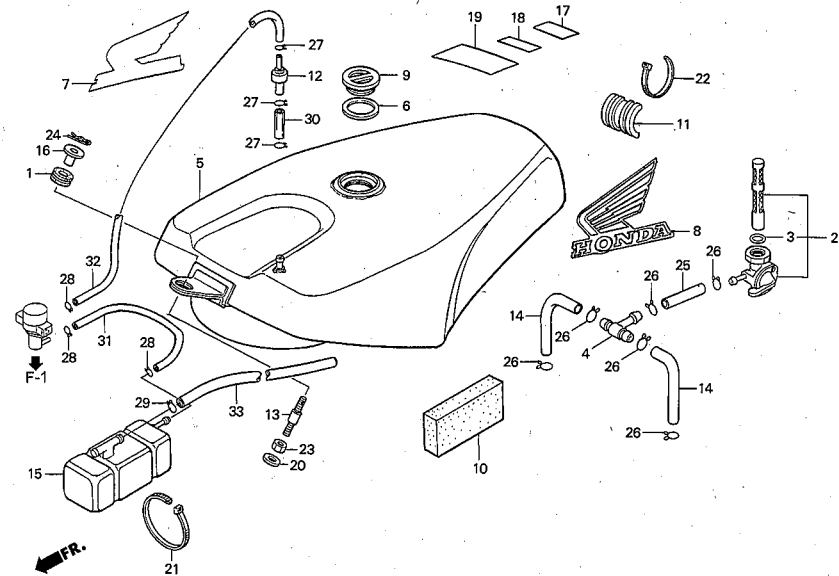
Block No.

F-10

Fuel tank

2001 RS250R

2002 RS250R



Ref. No.	Part No.	Description	Reqd. No. '01 '02	Remarks	Ref. No.	Part No.	Description	Reqd. No. '01 '02	Remarks
1	15604-MG7-000	GROMMET, oil collar.....	1 1		21	90651-NC8-000	TIE-WRAP, 3.6×281.....	1 1	
2	16950-NF5-003	VALVE ASSY., fuel	1 1		22	91058-MG9-681	BAND, self lock.....	1 1	
3	16958-MA1-731	O-RING, 10.6×1.3.....	1 1		23	94002-08000-0S	NUT, hex, 8 mm	1 1	
4	16958-MB0-000	JOINT, fuel tube	1 1		24	94252-10100	PIN, lock, 10 mm.....	1 1	
5	17510-NXA-000	TANK COMP., fuel.....	1 1		25	95001-75150-40	TUBE, fuel, 7.3×150.....	1 1	
6	17515-NX5-770	PACKING, fuel cap.....	1 1		26	95002-02120	CLIP, B12, tube.....	6 6	
7	17516-NF4-610	WING MARK, R. side.....	1 1		27	95002-45000	CLIP, C8, tube.....	3 3	
8	17517-NF4-610	WING MARK, L. side	1 1		28	95002-50000	CLIP, C9, tube.....	3 3	
9	17521-NX4-680	CAP, fuel tank	1 1		29	95002-80000	CLIP, C12, tube.....	1 1	
10	17522-NF5-690	SPONGE, baffle	6 6		30	95003-10003-31	VINYL-TUBE, 5×8×30	1 1	No sale by HRC I.D. 5mm×30mm
11	17528-NC8-000	RUBBER, fuel tank mount, rear.....	1 1		31	95003-10022-31	VINYL-TUBE, 5×8×220.....	1 1	No sale by HRC I.D. 5mm×220mm
12	17625-NX5-771	VALVE COMP, dashpot check.....	1 1	Blue / Brown	32	95003-10060-31	VINYL-TUBE, 5×8×600.....	1 1	No sale by HRC I.D. 5mm×600mm
13	17629-NX4-000	PIN, tank mount.....	1 1		33	95003-23060-31	VINYL-TUBE, 8×12×600	1 1	No sale by HRC I.D. 8mm×600mm
14	17702-NX5-790	TUBE, fuel.....	2 2						
15	19130-NX5-770	TANK, catch.....	1 1						
16	80115-GS3-000	SIDE COLLAR, RR. fender	1 1						
17	87207-NX4-870	MARK, caution	1 1						
18	87208-NC2-000	MARK, caution	1 1						
19	87560-357-671	MARK, caution.....	1 1						
20	90443-GC8-000	WASHER, special 8 mm.....	1 1						

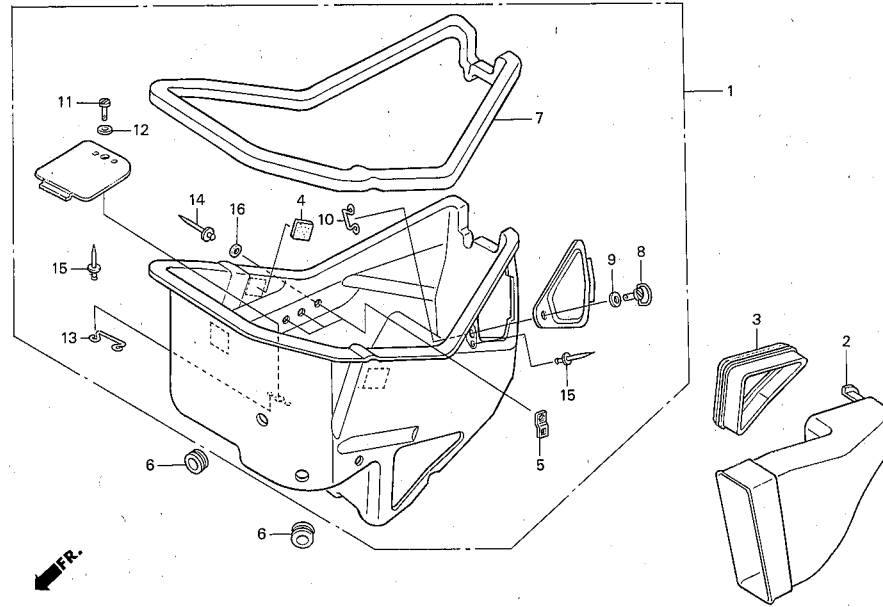
Block No.

F-11

Carburetor box

2001 RS250R

2002 RS250R



Ref. No.	Part No.	Description	Reqd. No. '01 '02	Remarks	Ref. No.	Part No.	Description	Reqd. No. '01 '02	Remarks
• 1	17210-NXA-000	BOX ASSY., carburetor	1	-					
•	17210-NXA-610	BOX ASSY., carburetor	(1)	1					
• 2	17250-NXA-000	JOINT, side duct.....	1	1					
• 3	17260-NXA-000	TUBE, duct conn.....	1	1					
• 4	17505-GT8-600	RUBBER, fuel tank.....	3	3					
• 5	50193-NX6-000	STAY, coupler.....	3	3					
6	55204-GJ2-000	GROMMET, oil tube	2	2					
• 7	64234-NX5-770	SEAL, gap	3	4					
• 8	90654-NX5-770	STUD, fastener 35.....	1	1					
• 9	90655-NX5-770	GROMMET, fastener	1	1					
• 10	90656-NX5-770	SPRING, fastener 35.....	1	1					
• 11	90754-NX5-770	STUD, fastener 30.....	1	1					
• 12	90755-NX5-770	GROMMET, fastener	1	1					
• 13	90756-NX5-770	SPRING, fastener 30.....	1	1					
• 14	91080-NC8-300	BLIND RIVET 3.2×6.4	3	3					
• 15	91082-NF5-000	BLIND RIVET 2.4×5.7	N	N					
16	94101-03000	WASHER, plain 3 mm	3	3					

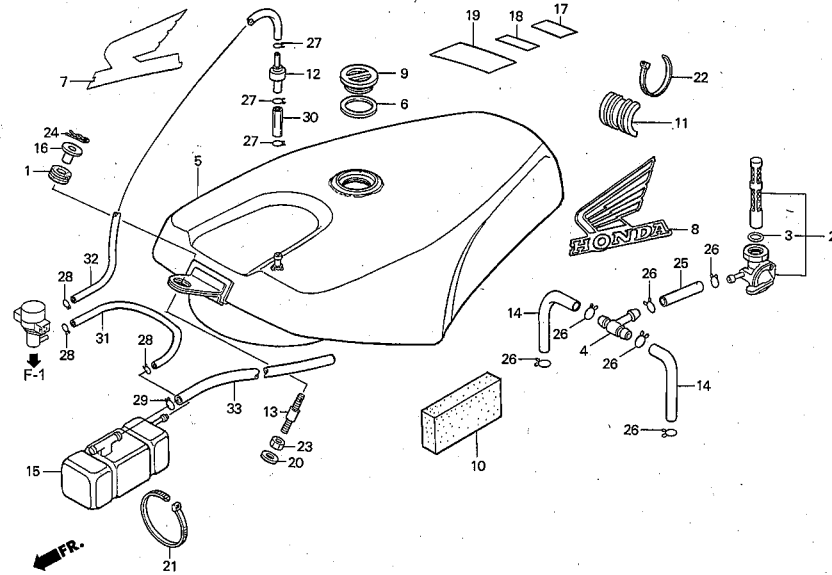
Block No.

F-10

Fuel tank

2001 RS250R

2002 RS250R



Ref. No.	Part No.	Description	Reqd. No. '01 '02	Remarks	Ref. No.	Part No.	Description	Reqd. No. '01 '02	Remarks
1	15604-MG7-000	GROMMET, oil collar.....	1 1		21	90651-NC8-000	TIE-WRAP, 3.6×281.....	1 1	
2	16950-NF5-003	VALVE ASSY., fuel.....	1 1		22	91058-MG9-681	BAND, self lock.....	1 1	
3	16958-MA1-731	O-RING, 10.6×1.3.....	1 1		23	94002-08000-0S	NUT, hex, 8 mm.....	1 1	
4	16958-MB0-000	JOINT, fuel tube.....	1 1		24	94252-10100	PIN, lock, 10 mm.....	1 1	
5	17510-NXA-000	TANK COMP., fuel.....	1 1		25	95001-75150-40	TUBE, fuel, 7.3×150.....	1 1	
6	17515-NX5-770	PACKING, fuel cap.....	1 1		26	95002-02120	CLIP, B12, tube.....	6 6	
7	17516-NF4-610	WING MARK, R. side.....	1 1		27	95002-45000	CLIP, C8, tube.....	3 3	
8	17517-NF4-610	WING MARK, L. side.....	1 1		28	95002-50000	CLIP, C9, tube.....	3 3	
9	17521-NX4-680	CAP, fuel tank.....	1 1		29	95002-80000	CLIP, C12, tube.....	1 1	
10	17522-NF5-690	SPONGE, baffle.....	6 6		30	95003-10003-31	VINYL-TUBE, 5×8×30.....	1 1	No sale by HRC I.D. 5mm×30mm
11	17528-NC8-000	RUBBER, fuel tank mount, rear.....	1 1		31	95003-10022-31	VINYL-TUBE, 5×8×220.....	1 1	No sale by HRC I.D. 5mm×220mm
12	17625-NX5-771	VALVE COMP, dashpot check.....	1 1	Blue / Brown	32	95003-10060-31	VINYL-TUBE, 5×8×600.....	1 1	No sale by HRC I.D. 5mm×600mm
13	17629-NX4-000	PIN, tank mount.....	1 1		33	95003-23060-31	VINYL-TUBE, 8×12×600.....	1 1	No sale by HRC I.D. 8mm×600mm
14	17702-NX5-790	TUBE, fuel.....	2 2						
15	19130-NX5-770	TANK, catch.....	1 1						
16	80115-GS3-000	SIDE COLLAR, RR. fender.....	1 1						
17	87207-NX4-870	MARK, caution.....	1 1						
18	87208-NC2-000	MARK, caution.....	1 1						
19	87560-357-671	MARK, caution.....	1 1						
20	90443-GC8-000	WASHER, special 8 mm.....	1 1						

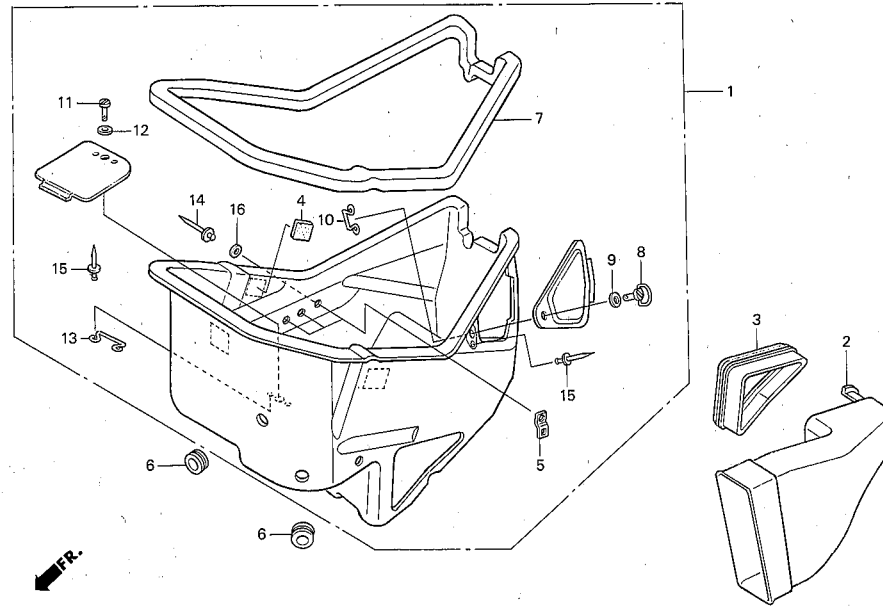
Block No.

F-11

Carburetor box

2001 RS250R

2002 RS250R



Ref. No.	Part No.	Description	Reqd. No. '01 '02	Remarks	Ref. No.	Part No.	Description	Reqd. No. '01 '02	Remarks
• 1	17210-NXA-000	BOX ASSY., carbureter	1	-					
•	17210-NXA-610	BOX ASSY., carbureter	(1)	1					
• 2	17250-NXA-000	JOINT, side duct	1	1					
• 3	17260-NXA-000	TUBE, duct conn	1	1					
• 4	17505-GT8-600	RUBBER, fuel tank	3	3					
• 5	50193-NX6-000	STAY, coupler	3	3					
6	55204-GJ2-000	GROMMET, oil tube	2	2					
• 7	64234-NX5-770	SEAL, gap	3	4					
• 8	90654-NX5-770	STUD, fastener 35	1	1					
• 9	90655-NX5-770	GROMMET, fastener	1	1					
• 10	90656-NX5-770	SPRING, fastener 35	1	1					
• 11	90754-NX5-770	STUD, fastener 30	1	1					
• 12	90755-NX5-770	GROMMET, fastener	1	1					
• 13	90756-NX5-770	SPRING, fastener 30	1	1					
• 14	91080-NC8-300	BLIND RIVET 3.2×6.4	3	3					
• 15	91082-NF5-000	BLIND RIVET 2.4×5.7	N	N					
16	94101-03000	WASHER, plain 3 mm	3	3					

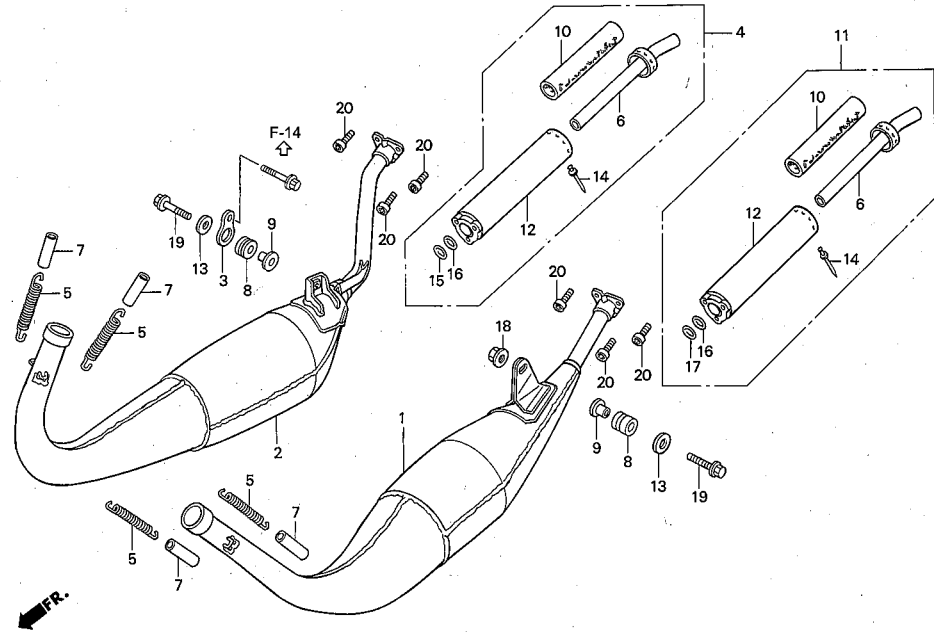
Block No.

F-12

Expansion chamber

2001 RS250R

2002 RS250R

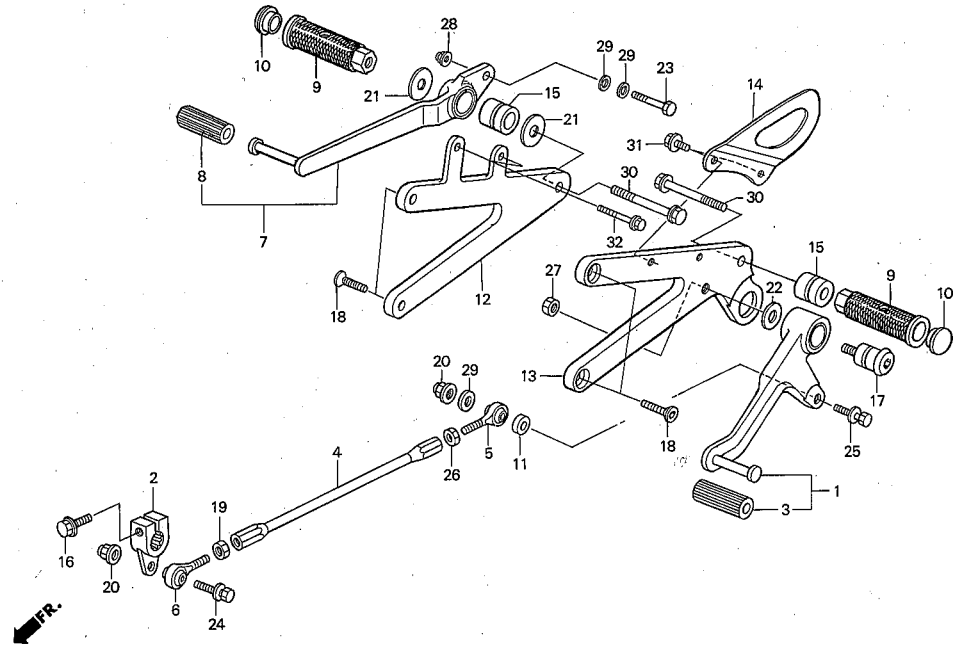


Ref. No.	Part No.	Description	Reqd. No. '01 '02	Remarks	Ref. No.	Part No.	Description	Reqd. No. '01 '02	Remarks
• 1	18310-NXA-000	EXPANSION CHAMBER COMP., No 1	1 1		20	96700-06016-07	BOLT, socket, 6×16	6 6	
• 2	18320-NXA-000	EXPANSION CHAMBER COMP., No 2	1 1						
• 3	18326-NX4-710	STAY, chamber	1 1						
• 4	18330-NXA-000	SILENCER ASSY., R.	1 1						
5	18332-KS6-000	SPRING, exhaust pipe	4 4						
• 6	18332-NXA-000	INNER COMP., silencer	2 2						
7	14539-KCZ-300	TUBE, tensioner spring	(4) 4						
•	18333-ND4-760	TUBE, spring	4 -						
8	18334-KA3-830	RUBBER, silencer	2 2						
9	18336-KS6-700	COLLAR, silencer mount	2 2						
• 10	18336-NF5-761	GLASS WOOL, L.	2 2						
• 11	18340-NXA-000	SILENCER ASSY., L.	1 1						
• 12	18344-NXA-300	BODY, silencer	2 2						
13	90506-430-000	WASHER, fender mount	2 2						
• 14	91081-NF4-003	RIVET, blind, 3.2	16 16						
15	91301-KR3-003	O-RING, 25.5×2.5	1 1						
16	91301-MW4-004	O-RING, 26.2×1.9	2 2						
17	91315-KE8-003	O-RING, 24×3	1 1						
18	94050-06000	NUT, flange, 6 mm	1 1						
19	96500-06025-00	BOLT, flange, DR, 6×25	2 2						

Block No.

F-13

**Gearshift pedal / Footpeg
(Change pedal / Step arm)
2001 RS250R
2002 RS250R**



Ref. No.	Part No.	Description	Reqd. No. '01 '02	Remarks	Ref. No.	Part No.	Description	Reqd. No. '01 '02	Remarks
• 1	24700-NXA-000	PEDAL ASSY., change.....	1 1		• 21	90504-MA6-000	WASHER 8.5×26.....	2 2	
• 2	24702-NXA-000	ARM, gear change.....	1 1		• 22	90524-MCF-000	WASHER, change pedal pivot.....	1 1	
• 3	24705-MR7-000	RUBBER, pedal.....	1 1		• 23	92101-06025-0A	BOLT, hex, 6×25.....	1 1	
• 4	24706-NXA-000	ROD, change.....	1 1		• 24	93401-06025-00	BOLT WASHER, 6×25.....	1 1	
• 5	24711-NX4-710	ROD END, 6 mm, A.....	1 1		• 25	93401-06028-00	BOLT WASHER, 6×28.....	1 1	
• 6	24712-NX4-710	ROD END, 6 mm, B.....	1 1		• 26	94001-06200-0S	NUT, hex, 6 mm.....	1 1	
• 7	46500-NX5-000	PEDAL ASSY., brake.....	1 1		• 27	94002-08000-0S	NUT, hex, 8 mm.....	1 1	
• 8	46501-ND4-750	RUBBER, pedal.....	1 1		• 28	94050-06000	NUT, flange, 6 mm.....	1 1	
• 9	50610-NL5-760	ARM, step.....	2 2		• 29	94101-06000	WASHER, plain, 6 mm.....	3 3	
• 10	50612-NL5-760	END, step arm.....	2 2		• 30	95801-08040-00	BOLT, flange, 8×40.....	2 2	
• 11	50618-KE8-000	COLLAR 6.5×11×3.....	1 1		• 31	96500-06010-00	BOLT, flange, DR, 6×10.....	2 2	
• 12	50630-NXA-000	HOLDER, R. step.....	1 1		• 32	96500-06020-00	BOLT, flange, DR, 6×20.....	2 2	
• 13	50640-NXA-000	HOLDER, L. step.....	1 1						
• 14	50641-NF5-950	PLATE, foot guard.....	1 1						
• 15	50643-NL5-760	COLLAR 16×8.2.....	2 2						
• 16	90003-MC7-000	BOLT, flange, 6×20.....	1 1						
• 17	90113-MCF-000	BOLT, change pivot.....	1 1						
• 18	90178-NC8-000	BOLT 8×22.....	4 4						
• 19	90201-KV3-700	NUT, tie-rod B.....	1 1						
• 20	90301-473-003	NUT, U, 6 mm.....	2 2						

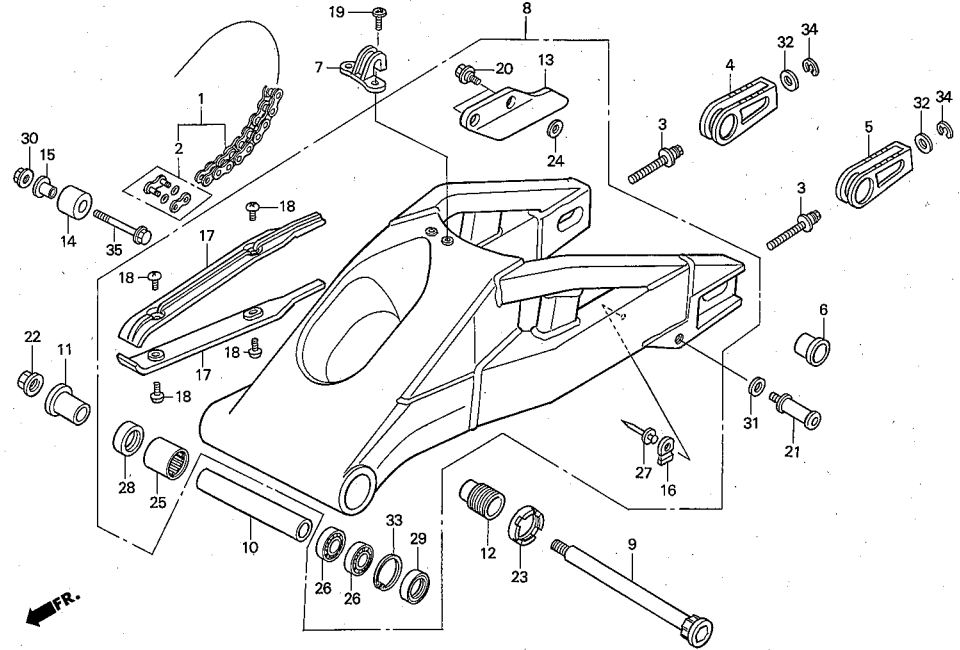
Block No.

F-14

Rear swingarm

2001 RS250R

2002 RS250R

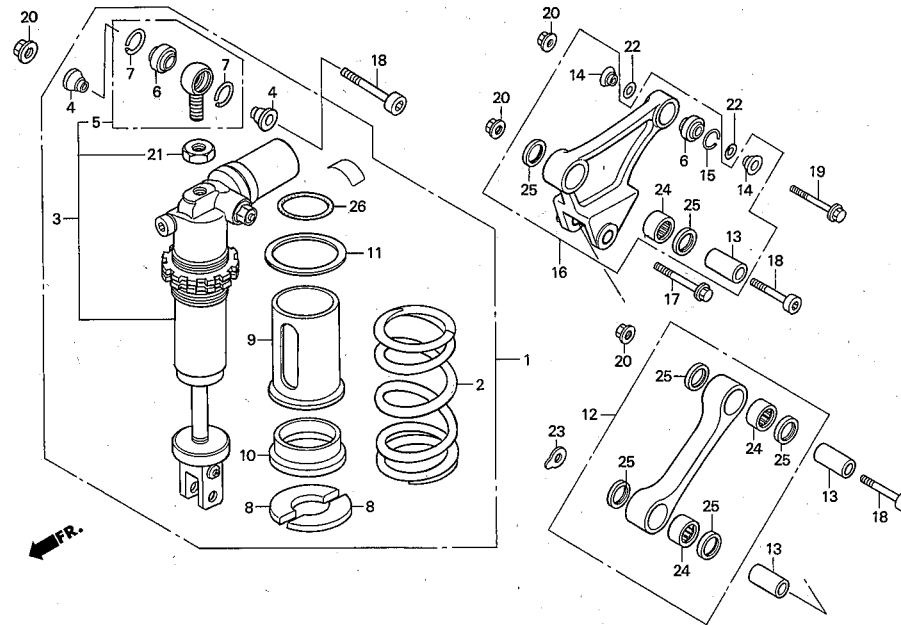


Ref. No.	Part No.	Description	Reqd. No. '01 '02	Remarks	Ref. No.	Part No.	Description	Reqd. No. '01 '02	Remarks
• 1	40530-NXA-003	CHAIN, drive (GB520TRU-110LJ-F).....	1 1		20	90110-GE0-710	BOLT, flange, 6 mm.....	2 2	
•	40540-NXA-003	CHAIN, drive (GB520TRU-112LJ-F).....	(1) (1)		21	90117-MAZ-000	BOLT, hook, M8×14.....	2 2	
• 2	40536-NXA-003	JOINT, drive chain.....	(1) (1)		22	90305-MB4-003	NUT, U, flange, 18 mm.....	1 1	
• 3	40542-NXA-000	BOLT, chain adjust.....	2 2		23	90355-469-000	NUT, rear fork pivot.....	1 1	
4	40543-MAS-000	ADJUSTER, chain.....	1 1		24	90522-028-000	WASHER, chain case setting.....	2 2	
• 5	40543-NXA-000	ADJUSTER, chain.....	1 1		25	91071-MR7-003	BEARING, needle.....	1 1	
• 6	42315-NXA-000	COLLAR, rear caliper bracket.....	1 1		26	91072-MR7-003	BEARING, ball radial, 20×37×9.....	2 2	
7	43468-KS6-700	GUIDE, rear brake hose.....	1 1		• 27	91080-NF5-710	RIVET, 4.0×8.6.....	1 1	
• 8	52100-NXA-010	SWINGARM ASSY.....	1 1		28	91202-MR7-003	DUST SEAL, 28×37×4.....	1 1	
9	52101-KY2-000	BOLT, swingarm pivot.....	1 1		29	91214-MR7-003	DUST SEAL, 26×37×5.....	1 1	
• 10	52102-NX5-000	COLLAR, distance swingarm.....	1 1		30	94050-08000	NUT, flange, 8 mm.....	1 1	
• 11	52106-NX4-000	COLLAR B, pivot.....	1 1		31	94102-08000	WASHER, plain, 8 mm.....	2 2	
• 12	52109-NX5-000	BOLT, adjust pivot.....	1 1		32	94102-10000	WASHER, plain, 10 mm.....	2 2	
13	52156-GAN-670	GUARD, chain.....	1 1		33	94520-37000	CIRCLIP, internal 37.....	1 1	
14	52158-HB5-003	ROLLER, chain.....	1 1		• 34	94540-08029	E-RING 8.....	2 2	
15	52159-467-000	COLLAR, chain roller.....	1 1		35	96400-08050-00	BOLT, flange, DR, 8×50.....	1 1	
• 16	52161-NF5-710	HOSE, base saddle.....	1 1						
• 17	52170-NX4-000	SLIDER, chain.....	2 2						
18	90101-692-000	SCREW, truss G-box.....	4 4						
19	90104-ML7-920	SCREW, pan, 5×10.....	2 2						

Block No.

F-15

Shock absorber
(Rear cushion)
2001 RS250R
2002 RS250R



Ref. No.	Part No.	Description	Reqd. No.		Remarks	Ref. No.	Part No.	Description	Reqd. No.		Remarks
			'01	'02					'01	'02	
• 1	52400-NXA-601	CUSHION ASSY., rear	1	-		• 16	52470-NXA-000	ARM ASSY., cushion	1	1	
•	52400-NXA-621	CUSHION ASSY., rear	-	1		• 17	90102-NF5-000	BOLT, flange, 10×50	1	1	
• 2	52401-NXA-003	SPRING, rear cushion	1	(1)	K=7.0	18	90110-ML7-000	BOLT, socket, 10×55	3	3	
•	52402-NXA-003	SPRING, rear cushion (SOFT)	(1)	1	K=6.5	19	90153-HA8-000	BOLT, flange, 10×47	1	1	
•	52403-NXA-003	SPRING, rear cushion (HARD)	(1)	(1)	K=7.5	20	90304-GA6-003	NUT, axle	4	4	
•	52404-NXA-611	SPRING, rear cushion (SOFT II)	(1)	(1)	K=6.0	• 21	90306-NF5-951	NUT, lock, 16 mm	1	1	
• 3	52410-NXA-003	DAMPER COMP., rear	1	-		• 22	90501-ND5-750	WASHER 12×16×0.1	N	N	
•	52410-NXA-611	DAMPER COMP., rear	-	1		• 23	90510-NX4-000	SHIM, engine mount, 0.2	N	N	
• 4	52411-NF5-951	COLLAR, damper upper	2	2		24	91071-MY1-005	BEARING, needle, 17×24×17	3	3	
• 5	52420-NX4-003	JOINT COMP., upper	1	1		25	91262-KV3-831	DUST SEAL, 17×24×5	6	6	
• 6	52422-NF5-952	BEARING, spherical	2	2		• 26	91359-NXA-003	O-RING, 49.7×2.4	1	1	
• 7	52424-GC4-831	RING, stopper	2	2							
• 8	52424-KAF-901	STOPPER, spring seat	2	2							
• 9	52458-NXA-003	GUIDE, spring	1	1							
• 10	52459-ML7-691	SEAT, spring	1	1							
• 11	52459-NXA-003	SEAT, spring	1	1							
• 12	52460-NXA-000	ROD ASSY., cushion	1	1							
• 13	52465-NX4-000	COLLAR, cushion arm	3	3							
• 14	52468-NF5-000	COLLAR, tension rod	2	2							
• 15	52469-NC8-000	SNAP, ring, 22 mm	1	1							

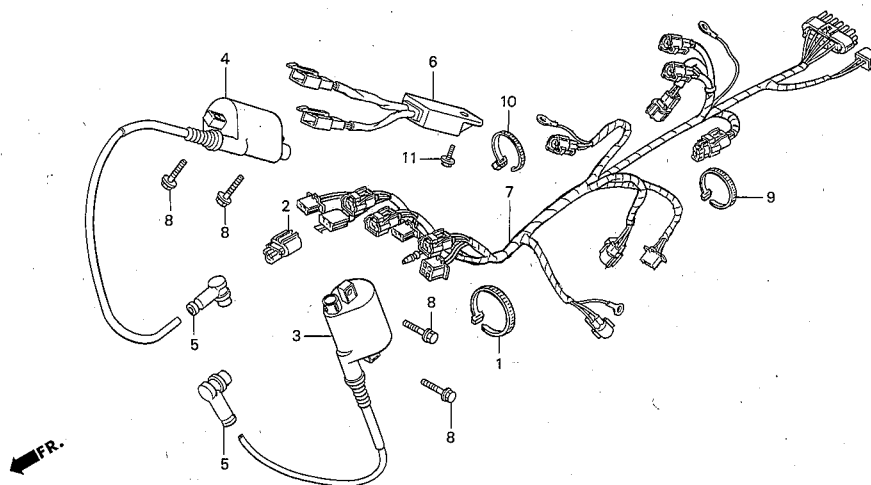
Block No.

F-16

Ignition coil / Wire harness

2001 RS250R

2002 RS250R

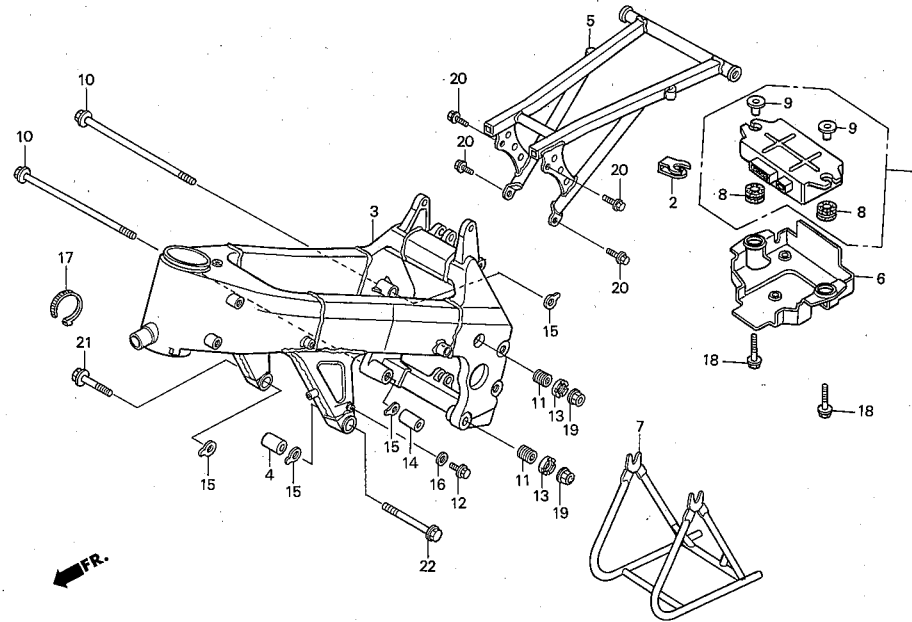


Ref. No.	Part No.	Description	Reqd. No.		Remarks	Ref. No.	Part No.	Description	Reqd. No.		Remarks
			'01	'02					'01	'02	
• 1	22872-NF5-760	BAND, 200	1	1							
• 2	30411-NX5-790	COUPLER, P/J mode 1	1	1							
•	30412-NX5-790	COUPLER, P/J mode 2	(1)	(1)							
•	30414-NXA-000	COUPLER, map 4	(1)	(1)							
• 3	30510-NX5-701	COIL COMP, ignition A	1	1							
• 4	30520-NX5-701	COIL COMP, ignition B	1	1							
• 5	30700-NX5-003	CAP ASSY., noise suppressor	2	2							
• 6	31600-NX5-791	REGULATE RECTIFIER COMP.	1	1							
• 7	32100-NXA-000	HARNESS, wire	1	-							
•	32100-NXA-610	HARNESS, wire	(1)	1							
8	90197-MN5-000	BOLT, flange, 5×20	4	4							
• 9	90652-ND5-000	TIE-WRAP, 2.4×92	2	2							
10	91058-MG9-681	BAND, self lock	1	1							
11	96500-06016-00	BOLT, flange, DR, 6×16	1	1							

Block No.

F-17

Engine control unit /
Frame body / Stand
2001 RS250R
2002 RS250R



Ref. No.	Part No.	Description	Reqd. No. '01 '02	Remarks	Ref. No.	Part No.	Description	Reqd. No. '01 '02	Remarks
• 1	30400-NXA-003	UNIT ASSY., engine control	1 1		18	93404-06028-00	BOLT WASHER, 6×28.....	2 2	
• 2	30401-NX5-640	PLATE, earth.....	1 1		19	94050-10000	NUT, flange, 10mm.....	2 2	
• 3	50100-NXA-000	FRAME BODY COMP.	1 1		20	96500-06020-00	BOLT, flange, DR, 6×20.....	4 4	
• 4	50121-KV3-830	COLLAR, pivot plate	1 1		21	96500-10028-00	BOLT, flange, DR, 10×28	1 1	
• 5	50240-NXA-000	SEAT RAIL COMP.	1 1		22	96500-10055-08	BOLT, flange, DR, 10×55	1 1	
• 6	50260-NX5-000	COVER, E.C.U.....	1 1						
• 7	50500-NXA-000	STAND, main	1 1						
• 8	80112-MA6-000	CUSHION, taillight.....	2 2						
• 9	90001-438-850	COLLAR A	2 2						
• 10	90109-KE1-000	BOLT, hex., 10×215.....	2 2						
• 11	90124-NX4-000	BOLT, engine mount adjust 18×34.5	2 2						
• 12	90134-ND5-000	BOLT, flange, 6×10.....	1 1						
• 13	90301-NX4-000	NUT, lock, M18×1.5.....	2 2						
• 14	90430-PV0-000	COLLAR, 10.2×22×34.2	1 1						
• 15	90510-NX4-000	SHIM, engine mount, 0.2	N N						
•	90511-NX4-000	SHIM, engine mount, 0.6	N N						
•	90512-NX4-000	SHIM, engine mount, 1.0	N N						
•	90513-NX4-000	SHIM, engine mount, 1.5	N N						
• 16	90543-273-000	PACKING, front fork drain valve	1 1						
• 17	90651-NC8-000	TIE-WRAP, 3.6×281.....	1 1						

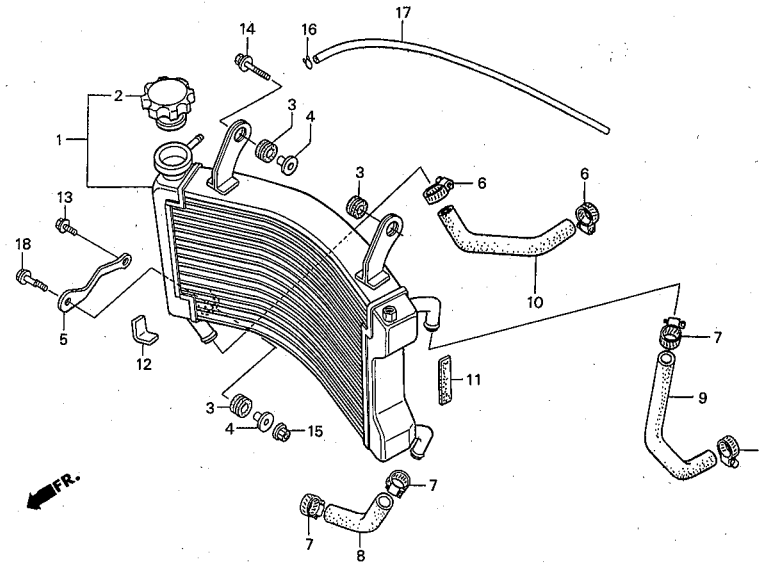
Block No.

F-18

Radiator

2001 RS250R

2002 RS250R



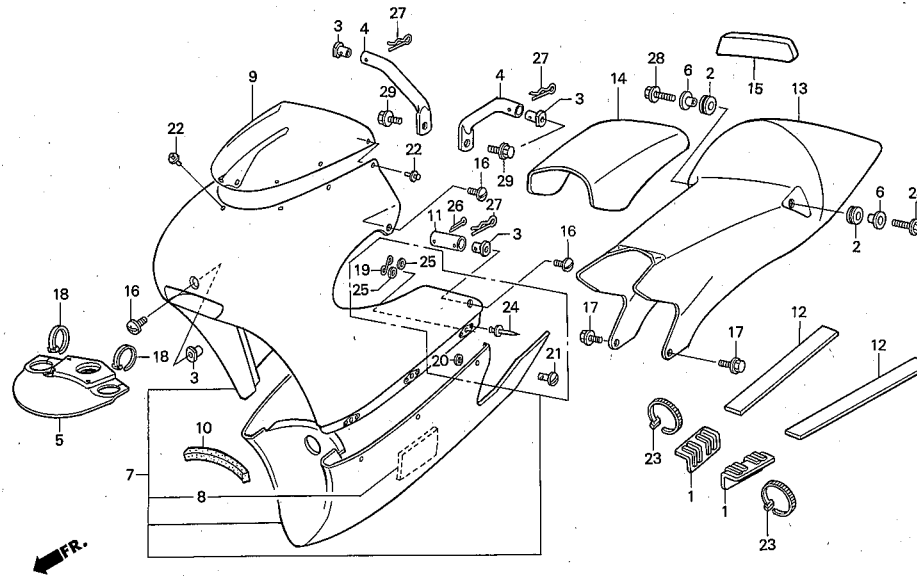
Ref. No.	Part No.	Description	Reqd. No. '01 '02	Remarks	Ref. No.	Part No.	Description	Reqd. No. '01 '02	Remarks
• 1	19010-NXA-003	RADIATOR COMP.	1 1						
• 2	19037-NX5-003	CAP COMP., filler	1 1						
• 3	19051-KA3-830	RUBBER, radiator mount	3 3						
• 4	19052-KA3-830	COLLAR, radiator mount	2 2						
• 5	19110-NXA-000	STAY, radiator	1 1						
• 6	19505-NXA-000	BAND, hose 22-32	2 2						
• 7	19506-KS6-700	CLAMP B, water hose	4 4						
• 8	19514-NXA-000	HOSE A, water	1 1						
• 9	19515-NXA-000	HOSE B, water	1 1						
• 10	19516-NXA-000	HOSE C, water	1 1						
• 11	50383-HC4-750	RUBBER, battery rear	1 1						
• 12	55101-KBA-900	CUSHION, oil tank	1 1						
• 13	90134-ND5-000	BOLT, flange, 6×10	1 1						
• 14	93404-06025-00	BOLT, washer, 6×25	1 1						
• 15	94050-06000	NUT, flange, 6 mm	1 1						
• 16	95002-02080	CLIP, B8, tube	1 1						
• 17	95003-14025-10	VINYL-TUBE, 6×9×250	1 1						No sale by HRC I.D. 6mm×250mm
• 18	96500-06025-00	BOLT, flange, DR, 6×25	1 1						

Block No.

F-19

Cowl

2001 RS250R
2002 RS250R



Ref. No.	Part No.	Description	Reqd. No. '01 '02	Remarks	Ref. No.	Part No.	Description	Reqd. No. '01 '02	Remarks
• 1	17528-NF4-000	RUBBER, fuel tank mount B.....	2 2		• 21	90655-NC8-000	STUD, fastener 35.....	6 6	
• 2	33712-KC5-003	GROMMET, taillight mount.....	2 2		• 22	90656-NX4-000	RIVET, 4×7.....	7 7	
• 3	50803-NF4-610	NUT, cowl stay.....	5 5		• 23	91058-MG9-681	BAND, self lock.....	2 2	
• 4	50807-NXA-000	STAY, front cowl upper.....	2 2		• 24	91080-NC8-300	RIVET, 3.2×6.4.....	12 12	
• 5	50820-NXA-000	COVER, steering under.....	1 1		• 25	94101-03000	WASHER, plain, 3mm.....	12 12	
• 6	61104-KA4-700	COLLAR, fender mount.....	2 2		• 26	94201-25300	PIN, split, 2.5×30.....	2 2	
• 7	64100-NXA-000	COWL ASSY., front.....	1 1		• 27	94252-16100	PIN, lock, 16mm.....	4 4	
• 8	64109-NF5-750	SHEET, heat proof.....	2 2		• 28	96001-06020-00	BOLT, flange, SH, 6×20.....	2 2	
• 9	64200-NXA-000	SCREEN.....	1 1		• 29	96500-06016-00	BOLT, flange, DR, 6×16.....	2 2	
• 10	64234-NX5-770	SEAL, gap.....	1 1						
• 11	65210-NXA-000	STAY, cowl side.....	2 2						
• 12	77105-NX4-000	RUBBER, seat rail.....	2 2						
• 13	77210-NXA-000	COWL, seat.....	1 1						
• 14	77220-NXA-000	RUBBER, seat.....	1 1						
• 15	77221-NF5-760	RUBBER, seat back.....	1 1						
• 16	90106-NF4-770	BOLT, cowl set, 6×13.....	5 5						
• 17	90108-GK1-000	BOLT, flange, SH, 6×12.....	2 2						
• 18	90651-NC8-000	TIE-WRAP, 3.6×281.....	2 2						
• 19	90653-NC8-000	SPRING, fastener 35.....	6 6						
• 20	90654-NC8-000	GROMMET, fastener.....	6 6						

2002-RS250R PART NO. INDEX

Part No.	Block	Part No.	Block	Part No.	Block	Part No.	Block
04601-ND5-760	F- 7	13000-NX5-790	E- 8	14420-NX5-750	E- 1	16113-NX4-780	E-11
04602-ND5-760	F- 7	13100-NX5-790	E- 8	14539-KCZ-300	F-12	16115-GHB-610	E-11
04603-NF4-770	F- 7	13111-KV3-000	E- 8			16118-166-004	E-11
		13112-NX5-700	E- 8			16118-NX4-711	E-11
		13121-NX4-811	E- 8			16121-NX5-791	E-11
		13121-NX5-701	E- 8	15604-MG7-000	F-10	16122-NX4-780	E-11
11000-NXA-305	E- 7	13331-360-000	E- 8	15611-NF4-900	E- 7	16122-NX5-791	E-11
11000-NXA-306	E- 7	13415-NXA-000	E- 8			16123-NX5-791	E-11
11106-GM2-300	E- 7	13420-NXA-000	E- 6			16124-NX4-780	E-11
11130-NXA-000	E-10	13426-NXA-000	E- 6			16126-NX4-780	E-11
11206-KR8-000	E- 7	13615-NX5-710	E- 8	16010-NX4-780	E-11	16145-MZ2-780	E-11
11209-NH3-760	E- 7			16011-KA3-741	E-11	16162-NX4-780	E-11
11340-NXA-000	E- 3			16012-NX4-780	E-11	16196-NX6-010	E-11
11395-NXA-000	E- 3			16013-NX4-780	E-11	16199-NX4-780	E-11
		14100-NXA-003	E- 7	16014-NX4-711	E-11	16200-NX5-791	E-11
		14112-NX5-003	E- 7	16015-NX4-780	E-11	16201-NX4-780	E-11
		14113-NXA-003	E- 7	16017-NX4-780	E-11	16202-NX4-780	E-11
12100-NXA-610	E- 1	14121-NX5-003	E- 7	16017-NX5-791	E-11	16203-NX4-780	E-11
	E- 2	14132-NXA-003	E- 7	16017-NX6-000	E-11	16204-NX4-780	E-11
12101-NXA-000	E- 1	14200-NXA-003	E- 7	16018-NX4-780	E-11	16205-NX4-780	E-11
	E- 2	14210-NXA-000	E- 1	16033-NX4-780	E-11	16206-NX4-780	E-11
12194-NXA-003	E- 1		E- 2	16037-NX4-781	E-11	16207-NX4-780	E-11
	E- 2	14221-NX5-000	E- 1	16041-NX5-791	E-11	16210-NXA-000	E- 7
12195-NXA-003	E- 1		E- 2	16046-NX4-681	E-11	16220-NXA-000	E- 7
	E- 2	14223-NF5-750	E- 1	16050-NX5-791	E-11	16230-NX4-780	E-11
12196-NXA-003	E- 1		E- 2	16070-NX4-781	E-11	16231-NX4-780	E-11
	E- 2	14243-NF5-750	E- 4	16101-NXA-003	E-11	16232-NX4-780	E-11
12211-NX5-790	E- 1	14245-NX5-000	E- 4	16101-NXA-611	E-11	16233-NX4-780	E-11
	E- 2	14248-NF5-750	E- 4	16102-NXA-003	E-11	16234-NX4-780	E-11
12213-ND5-000	E- 1	14337-NXA-003	E- 4	16102-NXA-611	E-11	16235-NX4-780	E-11
	E- 2	14338-NXA-003	E- 4	16111-NX4-780	E-11	16236-NX4-780	E-11
		14410-NX5-750	E- 2	16112-NX4-780	E-11	16237-NX4-780	E-11

2002-RS250R PART NO. INDEX

Part No.	Block	Part No.	Block	Part No.	Block	Part No.	Block
16950-NF5-003	F-10	18153-NX5-000	E- 4	19229-NX5-003	E- 6	23211-NXA-000	E- 9
16958-MA1-731	F-10	18220-NXA-000	E- 1	19233-NX5-700	E- 6	23212-NXA-000	E- 9
16958-MB0-000	F-10	18221-NXA-000	E- 2	19505-NXA-000	F-18	23214-NXA-000	E- 9
		18231-NXA-801	E- 1	19506-KS6-700	F-18	23221-NXA-610	E- 9
			E- 2	19514-NXA-000	F-18	23221-NX5-000	E- 9
		18310-NXA-000	F-12	19515-NXA-000	F-18	23225-NX5-000	E- 9
17135-NX5-791	E-11	18320-NXA-000	F-12	19516-NXA-000	F-18	23411-NX5-000	E- 9
17210-NXA-000	F-11	18326-NX4-710	F-12			23412-NX5-000	E- 9
17210-NXA-610	F-11	18330-NXA-000	F-12			23413-NX5-000	E- 9
17250-NXA-000	F-11	18332-KS6-000	F-12			23414-NX5-000	E- 9
17260-NXA-000	F-11	18332-NXA-000	F-12	22100-NX5-680	E- 3	23421-NX5-000	E- 9
17370-419-700	F- 7	18333-ND4-760	F-12	22106-NXA-000	E- 3	23422-NX5-000	E- 9
17505-GT8-600	F-11	18334-KA3-830	F-12	22111-NX5-000	E- 3	23424-NX5-000	E- 9
17510-NXA-000	F-10	18336-KS6-700	F-12	22112-NX5-000	E- 3	23431-NX5-000	E- 9
17515-NX5-770	F-10	18336-NF5-761	F-12	22113-NX5-000	E- 3	23432-NX5-000	E- 9
17516-NF4-610	F-10	18340-NXA-000	F-12	22117-NX5-000	E- 3	23433-NX5-000	E- 9
17517-NF4-610	F-10	18344-NXA-300	F-12	22120-NX5-680	E- 3	23434-NX5-000	E- 9
17521-NX4-680	F-10	18359-NXA-000	E- 1	22201-NX5-003	E- 3	23441-NX5-000	E- 9
17522-NF5-690	F-10		E- 2	22202-NX5-000	E- 3	23442-NX5-000	E- 9
17528-NC8-000	F-10			22321-MM9-000	E- 3	23443-NX5-000	E- 9
17528-NF4-000	F-19			22351-NX5-680	E- 3	23444-NX5-000	E- 9
17625-NX5-771	F-10			22401-KA5-740	E- 3	23445-NX5-000	E- 9
17629-NX4-000	F-10	19010-NXA-003	F-18	22810-NXA-000	E- 7	23446-NX5-000	E- 9
17702-NX5-790	F-10	19037-NX5-003	F-18	22815-ML0-780	E- 7	23461-NX5-000	E- 9
17910-NXA-000	F- 2	19051-KA3-830	F-18	22841-ND5-750	E- 3	23462-NX5-000	E- 9
17950-NX5-000	F- 1	19052-KA3-830	F-18	22850-NX5-700	E- 3	23463-NX5-000	E- 9
17955-NF5-750	F- 1	19110-NXA-000	F-18	22870-NX5-000	F- 2	23471-NX5-000	E- 9
		19130-NX5-770	F-10	22872-NF5-760	F- 1	23472-NX5-000	E- 9
		19210-NXA-000	E- 6		F-16	23473-NX5-000	E- 9
		19215-KA5-690	E- 6			23474-NX5-000	E- 9
18150-NXA-000	E- 4	19219-NXA-003	E- 6			23481-NX5-000	E- 9
18152-NX5-700	E- 4	19220-NX5-000	E- 6			23491-NX5-000	E- 9

2002-RS250R PART NO. INDEX

Part No.	Block	Part No.	Block	Part No.	Block	Part No.	Block
23495-NXA-000	E- 9	24325-KA3-711	E-10	31100-NXA-611	E- 5	36190-NX5-770	F- 1
23501-NX5-000	E- 9	24326-KBH-901	E-10	31100-NX5-681	E- 5		
23502-NX5-000	E- 9	24328-NX5-000	E-10	31110-NXA-611	E- 5		
23503-NX5-000	E- 9	24329-KA3-740	E-10	31110-NX5-771	E- 5		
23504-NX5-000	E- 9	24329-KT8-000	E- 1	31120-NX5-681	E- 5	37250-NX4-731	F- 1
23505-NX5-000	E- 9		E- 2	31420-NF5-761	F- 1	37460-NX4-701	F- 1
23506-NX5-000	E- 9	24430-KA3-740	E-10	31600-NX5-791	F-16	37870-NF4-611	F- 1
23511-NX5-000	E- 9	24435-KZ4-690	E-10	31700-NX5-000	F- 1		
23512-KV3-770	E- 9	24610-NX5-000	E-10	31930-NX5-751	E- 1		
23512-NX5-000	E- 9	24615-NX5-300	E-10		E- 2		
23514-NX5-000	E- 9	24651-MW0-000	E-10	31940-NX5-751	E- 1	40530-NXA-003	F-14
23515-NX5-000	E- 9	24655-KV3-000	E-10		E- 2	40536-NXA-003	F-14
23516-NX5-000	E- 9	24700-NXA-000	F-13	31950-NX5-751	E- 1	40540-NXA-003	F-14
23802-NX5-770	E- 9	24702-NXA-000	F-13		E- 2	40542-NXA-000	F-14
23803-NX5-770	E- 9	24705-MR7-000	F-13			40543-MAS-000	F-14
23804-NX5-770	E- 9	24706-NXA-000	F-13			40543-NXA-000	F-14
23805-NX5-770	E- 9	24711-NX4-710	F-13				
		24712-NX4-710	F-13	32100-NXA-000	F-16		
				32100-NXA-610	F-16		
						41203-NXA-000	F- 9
24211-NXA-000	E-10					41204-NXA-000	F- 9
24221-NXA-000	E-10	30400-NXA-003	F-17			41205-NXA-000	F- 9
24231-NXA-000	E-10	30401-NX5-640	F-17	33712-KC5-003	F-19	41206-NXA-000	F- 9
24265-KA3-760	E-10	30411-NX5-790	F-16			41207-NXA-000	F- 9
24266-NX5-000	E-10	30412-NX5-790	F-16			41208-NXA-000	F- 9
24311-NXA-000	E-10	30414-NXA-000	F-16				
24311-NXA-800	E-10	30510-NX5-701	F-16	35130-NX5-000	F- 2		
24312-NX5-000	E-10	30520-NX5-701	F-16	35132-KR5-013	F- 2		
24315-HA0-000	E-10	30700-NX5-003	F-16	35133-KJ2-003	F- 2	42301-NXA-000	F- 9
24321-KW6-902	E-10					42304-NXA-000	F- 9
24322-HA0-000	E-10					42315-NXA-000	F-14
24324-KA3-711	E-10					42610-NXA-000	F- 9

2002-RS250R PART NO. INDEX

Part No.	Block	Part No.	Block	Part No.	Block	Part No.	Block
42610-NXA-610	F- 9	44600-NXA-610	F- 6	46182-500-013	F- 7	51126-NXA-003	F- 5
42620-NXA-000	F- 9	44600-NX5-770	F- 6	46500-NX5-000	F-13	51400-NXA-003	F- 5
42720-NC8-000	F- 6	44600-NX5-850	F- 6	46501-ND4-750	F-13	51400-NXA-611	F- 5
	F- 9	44620-ND5-750	F- 6			51401-NXA-003	F- 5
42721-NC8-000	F- 6	44621-NF5-750	F- 6			51402-NXA-003	F- 5
	F- 9					51403-MA0-771	F- 5
42753-ML7-004	F- 6			50100-NXA-000	F-17	51403-MCF-003	F- 5
	F- 9			50121-KV3-830	F-17	51403-NXA-003	F- 5
		45100-NX5-770	F- 3	50193-NX6-000	F-11	51404-MT7-003	F- 5
		45105-NX4-770	F- 3	50240-NXA-000	F-17	51406-MW4-003	F- 5
		45107-GM9-711	F- 8	50260-NX5-000	F-17	51410-NXA-003	F- 5
43100-NXA-000	F- 8	45108-GM9-741	F- 8	50324-425-010	F- 1	51412-KA4-711	F- 5
43105-NF5-611	F- 8	45109-NX5-004	F- 3	50383-HC4-750	F-18	51414-MAZ-003	F- 5
43109-MA3-006	F- 8	45120-NX4-681	F- 6	50500-NXA-000	F-17	51414-NXA-003	F- 5
43209-MA3-006	F- 8	45125-NX5-681	F- 3	50610-NL5-760	F-13	51415-MAZ-003	F- 5
43310-NXA-000	F- 7	45126-NX5-681	F- 3	50612-NL5-760	F-13	51415-NXA-003	F- 5
43352-568-003	F- 7	45127-KZ4-003	F- 3	50618-KE8-000	F-13	51420-NXA-003	F- 5
	F- 8	45127-NX5-681	F- 3	50630-NXA-000	F-13	51420-NXA-611	F- 5
43352-NX5-004	F- 3	45129-NX5-680	F- 3	50640-NXA-000	F-13	51421-NXA-003	F- 5
43353-461-771	F- 7	45131-166-016	F- 8	50641-NF5-950	F-13	51422-MT7-003	F- 5
	F- 8	45131-HA5-672	F- 8	50643-NL5-760	F-13	51423-MT7-003	F- 5
43468-KS6-700	F-14	45132-166-016	F- 8	50803-NF4-610	F-19	51430-NXA-003	F- 5
43500-NF4-770	F- 7	45133-MA3-006	F- 8	50807-NXA-000	F-19	51430-NXA-611	F- 5
43503-MB2-006	F- 7	45200-NX5-770	F- 3	50810-NXA-000	F- 1	51436-NF5-761	F- 5
43503-NF4-000	F- 7	45203-MG3-016	F- 8	50811-NX4-680	F- 1	51447-KA4-711	F- 5
43504-NF4-770	F- 7	45215-GE2-016	F- 8	50814-GZ5-003	E- 6	51454-MCF-003	F- 5
43516-HA2-000	F- 1	45220-NX5-681	F- 6	50815-NXA-610	F- 1	51500-NXA-003	F- 5
43541-ND5-750	F- 7	45351-KAB-000	F- 9	50815-NX4-000	F- 1	51500-NXA-611	F- 5
		45500-NX5-680	F- 3	50816-NX4-000	F- 1	51517-MCF-003	F- 5
		45506-ND5-751	F- 7	50820-NXA-000	F-19	51520-NXA-003	F- 5
		45520-NX6-000	F- 3			51520-NXA-611	F- 5
44300-NXA-000	F- 6	45530-NF4-650	F- 7				

2002-RS250R PART NO. INDEX

Part No.	Block	Part No.	Block	Part No.	Block	Part No.	Block
52100-NXA-010	F-14	53105-NF4-770	F- 2	61100-NXA-000	F- 4	87560-357-671	F-10
52101-KY2-000	F-14	53110-NXA-000	F- 2	61100-NXA-610	F- 4		
52102-NX5-000	F-14	53111-NX4-000	F- 2	61104-KA4-700	F-19		
52106-NX4-000	F-14	53120-NXA-000	F- 2				
52109-NX5-000	F-14	53141-NX5-770	F- 2			90001-438-850	F-17
52156-GAN-670	F-14	53142-NX5-770	F- 2			90001-NXA-610	E- 9
52158-HB5-003	F-14	53165-ML7-010	F- 2	64100-NXA-000	F-19	90002-KG4-000	E- 7
52159-467-000	F-14	53166-ML7-000	F- 2	64109-NF5-750	F-19	90003-MC7-000	F- 6
52161-NF5-710	F-14	53167-NX5-950	F- 2	64200-NXA-000	F-19		F-13
52170-NX4-000	F-14	53168-NX5-950	F- 2	64234-NX5-770	F-11	90004-GHB-670	E- 5
52400-NXA-601	F-15	53172-430-003	F- 2		F-19		F- 1
52400-NXA-621	F-15	53173-376-000	F- 2			90004-GHB-680	E-10
52401-NXA-003	F-15	53175-NX5-680	F- 3			90013-415-000	E- 8
52402-NXA-003	F-15	53176-NX5-680	F- 3			90013-NXA-000	E- 9
52403-NXA-003	F-15	53178-NX5-680	F- 2	65210-NXA-000	F-19	90022-MG8-000	E-10
52404-NXA-611	F-15	53192-KA4-710	F- 2			90035-NX5-700	E- 1
52410-NXA-003	F-15	53200-NXA-000	F- 4				E- 2
52410-NXA-611	F-15	53214-MR7-003	F- 4			90037-NX5-000	E- 1
52411-NF5-951	F-15	53230-NXA-000	F- 4	77105-NX4-000	F-19		E- 2
52420-NX4-003	F-15	53700-NXA-003	F- 4	77210-NXA-000	F-19		E- 6
52422-NF5-952	F-15	53700-NXA-611	F- 4	77220-NXA-000	F-19	90081-NF5-000	E- 3
52424-GC4-831	F-15	53705-NF5-760	F- 4	77221-NF5-760	F-19		E- 7
52424-KAF-901	F-15	53710-NXA-000	F- 4			90082-NX5-000	E- 7
52458-NXA-003	F-15	53713-NC8-000	F- 4			90083-NX5-000	E- 7
52459-ML7-691	F-15					90101-692-000	F-14
52459-NXA-003	F-15			80112-MA6-000	F-17	90102-NF5-000	F-15
52460-NXA-000	F-15			80115-GS3-000	F-10	90104-ML7-920	F-14
52465-NX4-000	F-15	55101-KBA-900	F-18			90106-NF4-770	F-19
52468-NF5-000	F-15	55204-GJ2-000	F-11			90108-GK1-000	F- 3
52469-NC8-000	F-15						F- 4
52470-NXA-000	F-15			87207-NX4-870	F-10		F-19
				87208-NC2-000	F-10	90109-KE1-000	F-17

2002-RS250R PART NO. INDEX

Part No.	Block	Part No.	Block	Part No.	Block	Part No.	Block
90109-MR7-000	F- 5	90305-KZ4-891	F- 9	90454-428-000	E- 9		F-16
90110-GE0-710	F-14	90305-MB4-003	F-14	90456-425-000	E- 3	90653-NC8-000	F-19
90110-ML7-000	F-15	90305-ML7-000	F- 6	90456-KA4-000	E- 3	90654-NC8-000	F-19
90111-NX4-710	F- 3	90306-NF5-951	F-15	90461-286-000	E- 9	90654-NX5-770	F-11
90112-GZ0-000	F- 9	90321-KF0-000	F- 2	90462-323-000	E- 9	90655-NC8-000	F-19
90113-MCF-000	F-13	90355-469-000	F-14	90488-425-000	E- 1	90655-NX5-770	F-11
90114-NX5-680	F- 2	90401-KZ4-890	F- 9		E- 2	90656-NX4-000	F-19
90117-MAZ-000	F-14	90401-NX5-770	E- 1	90501-ND5-750	F-15	90656-NX5-770	F-11
90124-NX4-000	F-17		E- 2	90501-NX5-680	F- 2	90659-MR5-000	F- 2
90134-ND5-000	F-17	90402-MCL-000	E- 8	90504-MA6-000	F-13	90701-NX5-000	E- 8
	F-18	90402-ND5-750	E- 3	90506-430-000	F-12	90702-KAE-000	E- 6
90135-HA7-770	F- 9	90402-PC6-000	E- 9	90510-NX4-000	F-15	90754-NX5-770	F-11
90145-MS9-612	F- 7	90411-NF5-760	E- 3		F-17	90755-NX5-770	F-11
90145-NX4-710	F- 3	90412-NF5-760	E- 3	90511-NX4-000	F-17	90756-NX5-770	F-11
90153-HA8-000	F-15	90413-NF5-760	E- 3	90512-NX4-000	F-17		
90178-NC8-000	F-13	90414-NF5-760	E- 3	90513-NX4-000	F-17		
90197-MN5-000	F-16	90421-KAE-740	E- 9	90522-028-000	F-14		
90201-415-000	E- 1	90428-958-000	E-10	90524-MCF-000	F-13	91001-KG8-901	E- 4
	E- 2	90430-PV0-000	F-17	90543-273-000	E- 1	91001-NX5-003	E- 8
90201-KV3-700	F-13	90432-121-000	E- 6		E- 2	91001-NX5-701	E- 7
90201-NF5-000	E- 4	90432-428-000	E- 3		E- 6	91003-NX5-003	E- 8
90235-MN1-670	E- 3	90435-HB3-000	E-10		E- 7	91004-KY4-900	E-10
90301-473-003	E- 1	90441-KR3-000	E- 5		F-17	91005-NX5-771	E- 7
	E- 2	90442-035-000	E- 1	90601-107-000	E- 9	91010-NX5-003	E- 7
	E- 4		E- 2	90601-ZE1-000	F- 3	91011-NX5-000	E-10
	F-13		E- 4		F- 7	91012-KA3-710	E- 7
90301-HA7-670	E- 6	90443-GC8-000	F-10	90651-NC8-000	F- 7		E-10
90301-NX4-000	F-17	90443-MB0-000	E- 3		F-10	91012-NX5-000	E- 7
90302-MR7-000	F- 4	90443-MF5-000	E- 4		F-17	91016-MR7-003	F- 4
90302-NF5-760	F- 4	90445-MM4-000	E- 7		F-19	91021-ML3-003	E- 3
90304-GA6-003	F-15	90447-KE1-000	E- 6	90652-ND5-000	E-11	91022-KA4-740	E- 7
90304-GE8-003	F- 9	90451-KE8-000	E- 9		F- 7	91023-NXA-003	E- 7

2002-RS250R PART NO. INDEX

Part No.	Block	Part No.	Block	Part No.	Block	Part No.	Block
91024-GJ5-003	E- 1	91205-PH8-005	E- 1	92201-08035-0A	F- 4	94001-06000-0S	F- 2
	E- 2		E- 2	92301-05014-0A	E- 4	94001-06200-0S	F-13
91026-MN0-003	E- 9	91206-KV3-003	E- 7	92301-05016-0A	E- 4	94001-12200-0S	E- 5
91034-NXA-003	E- 4	91211-KA3-761	E- 6	92900-06028-0E	E- 1	94002-08000-0S	F- 4
91050-NXA-003	F- 9	91212-422-006	F- 7		E- 2		F-10
91053-MAZ-003	F- 9	91214-MR7-003	F-14	92900-08032-3E	E- 7		F-13
91058-MG9-681	F- 2	91255-723-671	E- 7	92900-08035-3E	E- 7	94050-06000	F- 1
	F- 7	91255-KS6-831	F- 5				F-12
	F-10	91255-MCF-003	F- 5				F-18
	F-16	91258-GF4-003	F- 5			94050-08000	E- 1
	F-19	91261-MB0-003	E- 7	93401-06025-00	F-13		E- 2
91058-NX6-801	F- 2	91262-KV3-831	F-15	93401-06028-00	F-13		F-14
91060-NL0-003	F- 4	91264-415-003	E- 3	93404-06020-08	E- 3	94050-06000	F-13
91071-MR7-003	F-14	91271-MB0-013	E- 3	93404-06025-00	F-18	94050-10000	F-17
91071-MY1-005	F-15	91301-KR3-003	F-12	93404-06028-00	F- 1	94101-03000	F-11
91072-MR7-003	F-14	91301-MW4-004	F-12		F-17		F-19
91080-NC8-300	F-11	91302-HA5-003	E- 1	93500-04012-0A	E-11	94101-06000	F-13
	F-19		E- 2	93500-04025-0G	E- 7	94102-08000	F- 4
91080-NF5-710	F-14	91304-MJ0-003	E- 7	93500-05016-0A	F- 2		F-14
91081-NF4-003	F-12	91306-HB3-003	E- 3	93500-05020-0G	F- 2	94102-10000	F-14
91082-NF5-000	F-11	91307-PK2-005	F- 1	93600-06012-0A	E- 7	94201-25300	F-19
91101-121-691	E- 3	91311-MR7-003	F- 5		E-10	94251-05000	F- 3
	E-10	91315-KE8-003	F-12	93892-03008-08	E- 7	94252-10100	F-10
91101-NX5-023	E- 8	91351-MCF-003	F- 5	93892-04010-00	E-11	94252-16100	F-19
91101-PZ9-000	E- 7	91351-MT7-003	F- 5	93892-04014-18	E-11	94301-06100	E- 1
91102-GE1-711	E-10	91359-415-300	E- 3	93893-04012-18	F- 7		E- 2
91201-965-000	E- 6	91359-NXA-003	F-15			94301-08100	E- 3
91201-KM4-003	E- 8	91361-MB0-000	E- 7				E- 4
91201-ML3-873	E- 9						E- 6
91202-MR7-003	F-14			94001-05000-0S	E- 4	94301-10120	E- 1
91202-NX5-771	E- 8			94001-05080-0S	E- 1		E- 2
91203-KK3-830	E- 3	92101-06025-0A	F-13		E- 2	94303-08140	E- 7

2002-RS250R PART NO. INDEX

Part No.	Block	Part No.	Block	Part No.	Block	Part No.	Block
94303-08140	E-10	96001-06012-00	E- 7	96700-06016-07	F-12	99113-GHB-2150	E-11
94510-14000	E-10	96001-06014-00	E- 1				
94520-22000	E- 4		E- 2				
94520-37000	F-14		E-10				
94520-42000	F- 6	96001-06020-00	F-19	99103-440-0400	E-11		
94520-52000	F- 9	96001-06022-00	E- 7	99103-440-0420	E-11		
94540-08029	F-14		F- 2	99103-440-0450	E-11		
94560-62200	E- 8	96001-06025-00	E- 3	99103-440-0480	E-11		
94601-17000	F- 4		E- 7	99103-440-0500	E-11		
		96001-06028-00	E- 6	99113-GHB-1500	E-11		
		96001-06032-00	F- 4	99113-GHB-1520	E-11		
			E- 3	99113-GHB-1550	E-11		
95001-75150-40	F-10		E- 6	99113-GHB-1580	E-11		
95002-02070	E- 7	96001-06035-00	F- 4	99113-GHB-1600	E-11		
95002-02079	E-11	96001-06040-00	E- 4	99113-GHB-1620	E-11		
95002-02080	F-18	96150-60040-10	F- 6	99113-GHB-1650	E-11		
95002-02120	F- 7	96211-04000	F- 5	99113-GHB-1680	E-11		
	F-10	96211-06000	E- 3	99113-GHB-1700	E-11		
95002-40850-08	F- 3	96220-40080	E-10	99113-GHB-1720	E-11		
95002-45000	F-10	96400-08050-00	F-14	99113-GHB-1750	E-11		
95002-50000	F-10	96500-06010-00	F-13	99113-GHB-1780	E-11		
95002-80000	F-10	96500-06016-00	F-16	99113-GHB-1800	E-11		
95003-10003-31	F-10		F-19	99113-GHB-1820	E-11		
95003-10022-31	F-10	96500-06020-00	F-13	99113-GHB-1850	E-11		
95003-10060-31	F-10		F-17	99113-GHB-1880	E-11		
95003-11015-60	F- 3	96500-06025-00	F-12	99113-GHB-1900	E-11		
95003-14025-10	F-18		F-18	99113-GHB-1920	E-11		
95003-23060-31	F-10	96500-08035-00	F- 2	99113-GHB-1950	E-11		
95003-45012-10	F- 7		F- 4	99113-GHB-1980	E-11		
95018-52250	E- 7	96500-10028-00	F-17	99113-GHB-2000	E-11		
95801-08040-00	F-13	96500-10055-08	F-17	99113-GHB-2050	E-11		
		96600-06020-07	F- 3	99113-GHB-2100	E-11		

Honda Racing Corporation

Head Office/3-15-1 Senzui, Asaka-shi, Saitama-pref., 351-0024 Japan
TEL.048-461-9511 TELFAX.048-469-0068

European Office/Wijngaardveld 1, B 9300. Aalst. Belgium.
TEL. 053-78-6131 TELFAX.053-77-5767



© Honda Racing Corporation 2001
Published by Honda Racing Corporation

Ⓢ A150.01.1
PRINTED IN JAPAN