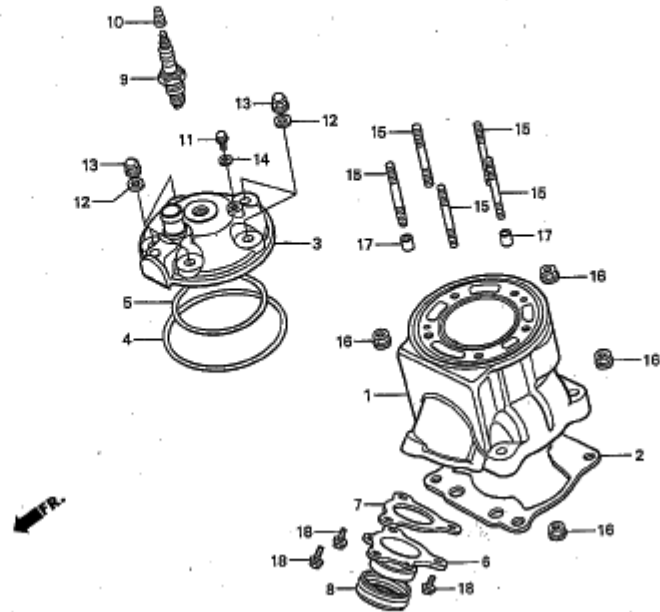


Block No.

**E-1**

**Cylinder • Cylinder head  
2001 RS125R  
2002 RS125R**

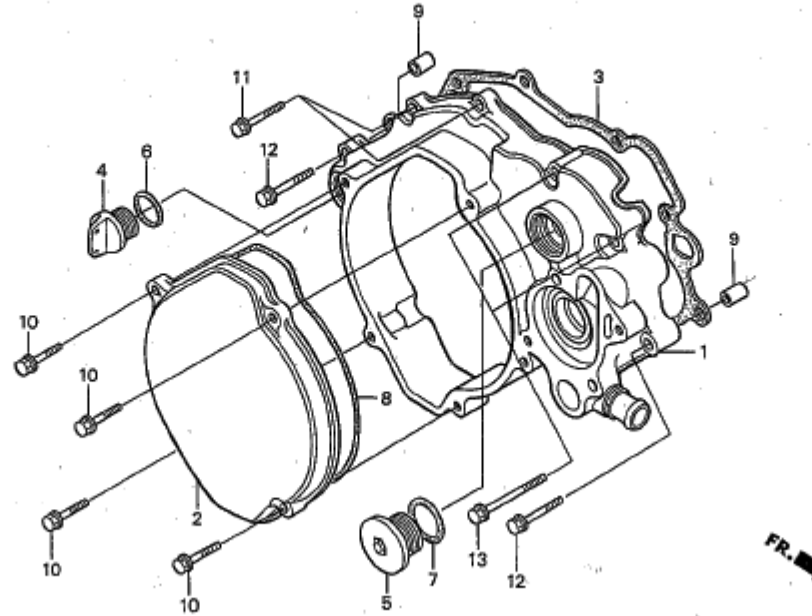


Ref. No.	Part No.	Description	Reqd. No. '01	Reqd. No. '02	Remarks	Ref. No.	Part No.	Description	Reqd. No. '01	Reqd. No. '02	Remarks
• 1	12100-NX4-710	CYLINDER COMP. ....	(1)	—		15	92900-08028-0E	BOLT, stud II, 8 x 28 .....	5	5	
•	12100-NX4-810	CYLINDER COMP. ....	1	1		16	94050-08000	NUT, flange, 8 mm .....	4	4	
• 2	12194-NX4-781	GASKET, cylinder 0.4T .....	(1)	(1)		17	94301-06100	DOWEL PIN, 6 x 10 .....	2	2	
•	12195-NX4-781	GASKET, cylinder 0.5T .....	1	1		18	96001-06014-07	BOLT, flange, SH, 6 x 14 .....	3	3	
•	12196-NX4-781	GASKET, cylinder 0.6T .....	(1)	(1)							
• 3	12200-NX4-710	HEAD COMP., cylinder .....	1	1							
• 4	12212-ND5-003	O-RING, 96 x 2.4 .....	1	1							
• 5	12213-ND5-000	O-RING, 61 x 1.9 .....	1	1							
• 6	18220-NX4-000	JOINT COMP., exhaust pipe .....	1	1							
• 7	18331-NF4-780	GASKET, exhaust joint .....	1	1							
8	18359-KS7-000	SEAL, exhaust pipe .....	1	1							
• 9	31901-NX4-701	SPARK PLUG, R6385-105P .....	1	1							
•	31902-NX4-701	SPARK PLUG, R6385-11P .....	(1)	(1)							
•	31903-NX4-701	SPARK PLUG, R6385-10P .....	(1)	(1)							
• 10	31910-NF4-000	NUT, spark plug .....	(1)	(1)							
• 11	90037-NX5-000	BOLT, water check 6 x 10 .....	1	1							
12	90441-422-000	WASHER, sealing, 8 mm .....	5	5							
13	90443-107-000	NUT, cap, 8 mm .....	5	5							
14	90543-273-000	PACKING, front fork drain valve .....	1	1							

Block No.

**E-2**

**R. crankcase cover  
2001 RS125R  
2002 RS125R**

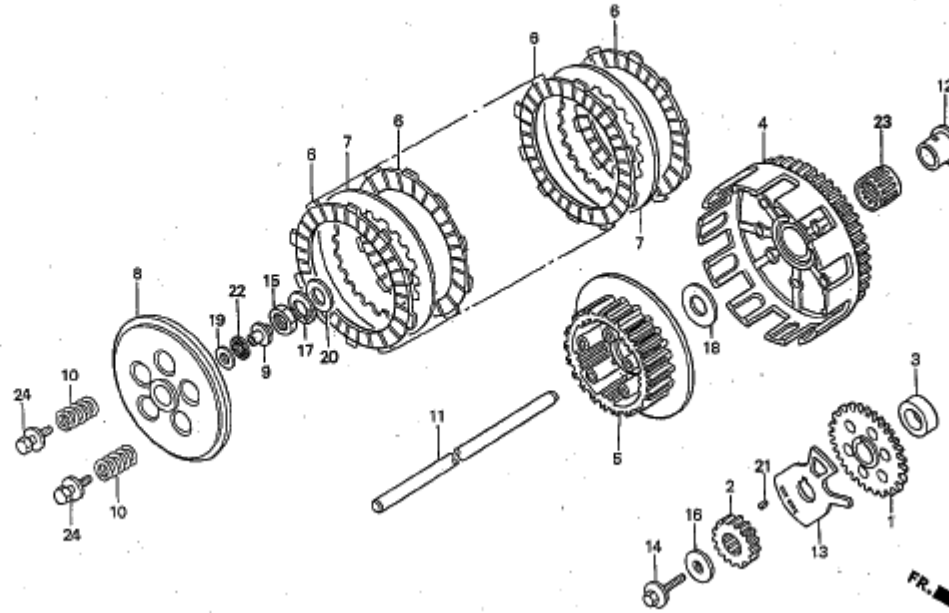


Ref. No.	Part No.	Description	Reqd. '01	No. '02	Remarks	Ref. No.	Part No.	Description	Reqd. '01	No. '02	Remarks
• 1	11340-NX4-700	COVER COMP., R. crankcase .....	1	1							
• 2	11341-NX4-700	COVER, clutch .....	1	1							
• 3	11394-NX4-003	GASKET, R. cover .....	1	1							
• 4	15611-NF4-900	CAP, oil filler .....	1	1							
5	90087-HB5-000	CAP, 30 mm .....	1	1							
6	91304-MJ0-003	O-RING .....	1	1							
7	91305-KF0-003	O-RING, 27 x 2 .....	1	1							
8	91311-KS6-700	O-RING, special .....	1	1							
9	94301-08100	DOWEL PIN, 8 x 10 .....	2	2							
10	96001-06020-07	BOLT, flange, SH, 6 x 20 .....	5	5							
11	96001-06025-00	BOLT, flange, SH, 6 x 25 .....	7	7							
12	96001-06032-00	BOLT, flange, SH, 6 x 32 .....	2	2							
13	96001-06040-00	BOLT, flange, SH, 6 x 40 .....	2	2							

Block No.

**E-3**

**Primary drive gear •  
Clutch  
2001 RS125R  
2002 RS125R**

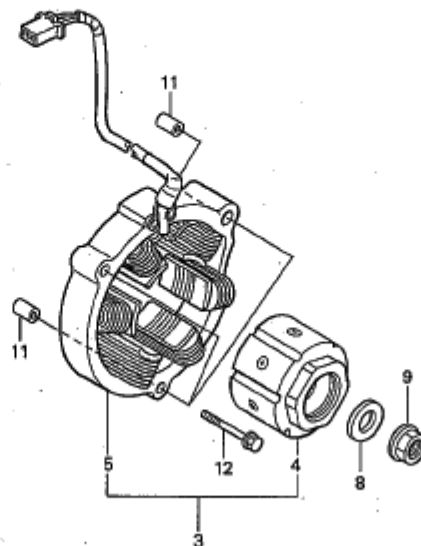
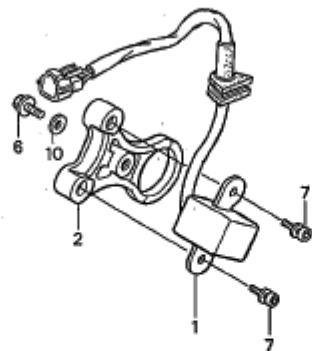


Ref. No.	Part No.	Description	Reqd. No. '01	Reqd. No. '02	Remarks	Ref. No.	Part No.	Description	Reqd. No. '01	Reqd. No. '02	Remarks
• 1	13411-NX4-700	GEAR, balancer drive .....	1	1	Side mark "B"	20	90456-KA4-000	WASHER, thrust, 18 x 32 mm .....	1	1	
• 2	13615-NX4-000	GEAR, primary drive .....	1	1		• 21	90701-NX4-700	KEY, 4 x 5 x 6.5 .....	1	1	
• 3	13617-NX4-700	COLLAR, drive gear .....	1	1		22	91001-147-003	BEARING, needle, 12 mm .....	1	1	
• 4	22100-NX4-700	OUTER COMP., clutch .....	1	1			91001-147-006	BEARING, needle, 12 mm .....	1	1	
• 5	22120-NX4-000	CENTER, clutch .....	1	1		23	91104-PL9-008	BEARING, needle, 26 x 31 x 22 .....	1	1	
• 6	22201-NX4-000	DISK, clutch friction .....	7	7		24	90047-PH7-000	BOLT-WASHER, 6 x 22 .....	5	5	
7	22321-KF0-770	PLATE, clutch .....	6	6							
• 8	22351-NF4-760	PLATE, clutch pressure .....	1	1							
• 9	22352-NX4-700	PIECE, clutch lifter .....	1	1							
10	22401-KZ4-A90	SPRING, clutch .....	5	5							
•	22401-NX4-000	SPRING, clutch .....	(5)	—							
• 11	22850-NX4-000	ROD, clutch lifter .....	1	1							
• 12	28237-NX4-000	COLLAR, distance, 20 x 26 x 26 .....	1	1							
• 13	30290-NX4-010	PLATE, pulser .....	1	1							
14	90013-430-000	BOLT, special, 10 x 25 .....	1	1							
15	90235-KA4-000	NUT, 18 mm .....	1	1							
• 16	90401-NF4-780	WASHER, 10 x 30 x 3.5 .....	1	1							
17	90432-428-000	WASHER, lock .....	1	1							
• 18	90451-NX4-000	WASHER, thrust, 20 mm .....	1	1							
19	90452-147-003	WASHER, thrust, 12 mm .....	1	1							

Block No.

**E-4**

**Pulse generator •  
A.C. generator  
2001 RS125R  
2002 RS125R**

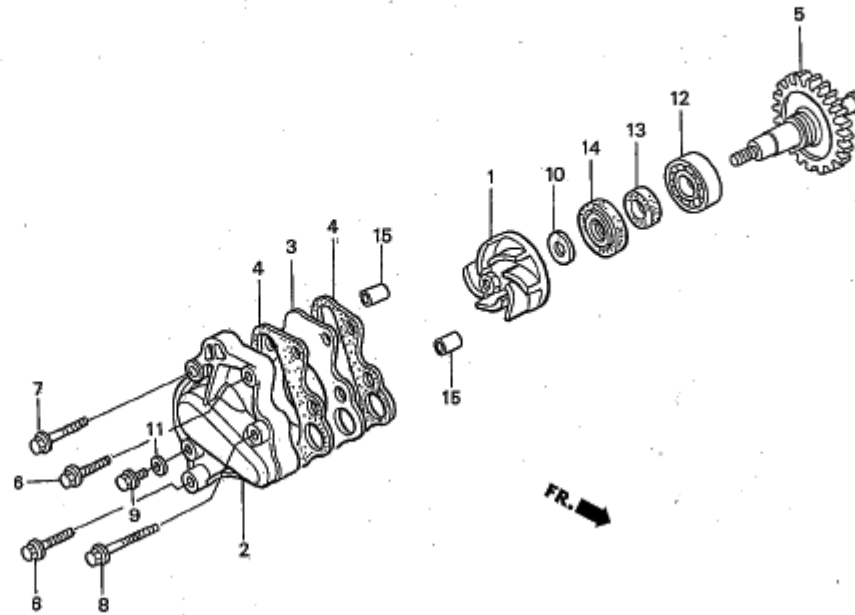


Ref. No.	Part No.	Description	Reqd. '01	No. '02	Remarks	Ref. No.	Part No.	Description	Reqd. '01	No. '02	Remarks
• 1	30300-NX4-003	PULSE GENERATOR ASSY. ....	1	1							
• 2	30305-NX4-000	BASE, pulse generator ....	1	1							
• 3	31100-NX4-013	A.C. GENERATOR ASSY. ....	1	1							
• 4	31110-NX4-003	ROTOR COMP. ....	1	1							
• 5	31120-NX4-013	STATOR COMP. ....	1	1							
6	90001-GHB-630	BOLT, flange, SHF, 6 x 16 ....	1	1							
7	90089-KAS-900	BOLT, flange, socket, 5 x 14 ....	2	2							
8	90465-MM9-000	WASHER, 10 mm ....	1	1							
9	94050-10000	NUT, flange, 10 mm ....	1	1							
10	94101-06000	WASHER, plain, 6 mm ....	1	1							
11	94301-08100	DOWEL PIN, 8 x 10 ....	2	2							
12	96001-06032-00	BOLT, flange, SH, 6 x 32 ....	3	3							

Block No.

## E-5

**Water pump  
2001 RS125R  
2002 RS125R**

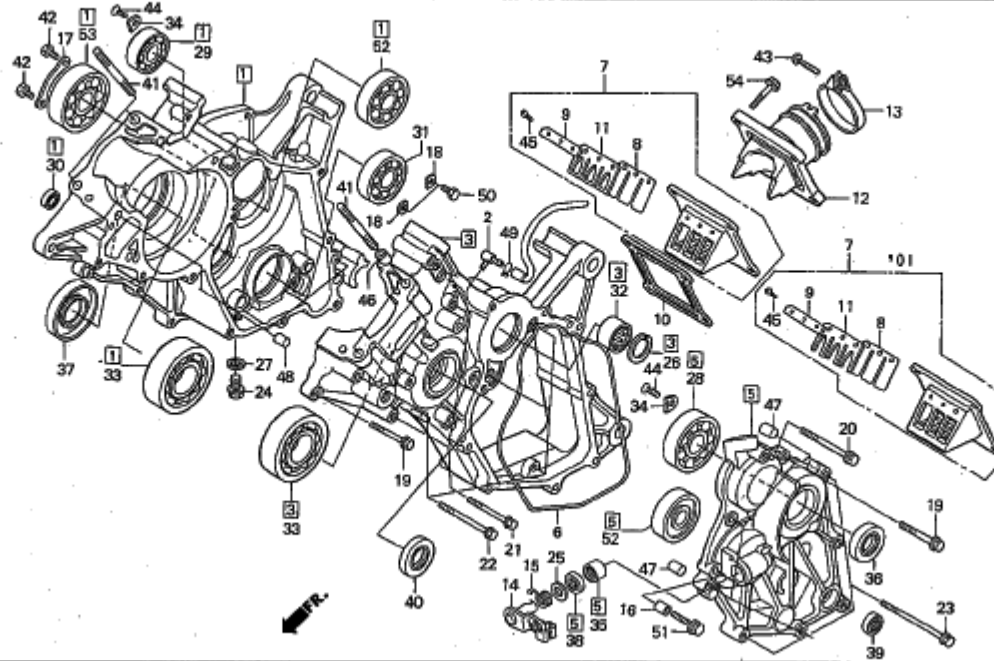


Ref. No.	Part No.	Description	Reqd. No. '01	Reqd. No. '02	Remarks	Ref. No.	Part No.	Description	Reqd. No. '01	Reqd. No. '02	Remarks
1	19215-KA3-740	IMPELLER, water pump .....	1	1							
• 2	19221-KA3-760	COVER, water pump .....	1	1							
• 3	19222-NX4-000	SEPARATOR, water pump .....	1	1							
• 4	19229-NX4-003	GASKET, water pump .....	2	2							
• 5	19240-NX4-010	SHAFT COMP., water pump .....	1	1							
6	90002-GHB-670	BOLT, flange, SHF, 6 × 25 .....	2	2							
7	90002-GHB-690	BOLT, flange, SHF, 6 × 32 .....	1	1							
8	90002-GHB-710	BOLT, flange, SHF, 6 × 40 .....	1	1							
• 9	90037-NX5-000	BOLT, water check, 6 × 10 .....	1	1							
10	90447-KE1-000	WASHER, sealing, 7 mm .....	1	1							
11	90543-273-000	PACKING, front fork drain valve .....	1	1							
12	91007-KA3-740	BEARING, ball, 12 × 24 × 6 .....	1	1							
13	91201-965-000	OIL SEAL, 12 × 22 × 5 .....	1	1							
14	91211-KA3-761	SEAL, water pump .....	1	1							
15	94301-08140	DOWEL PIN, 8 × 14 .....	2	2							

Block No.

# E-6

**Crankcase**  
**2001 RS125R**  
**2002 RS125R**

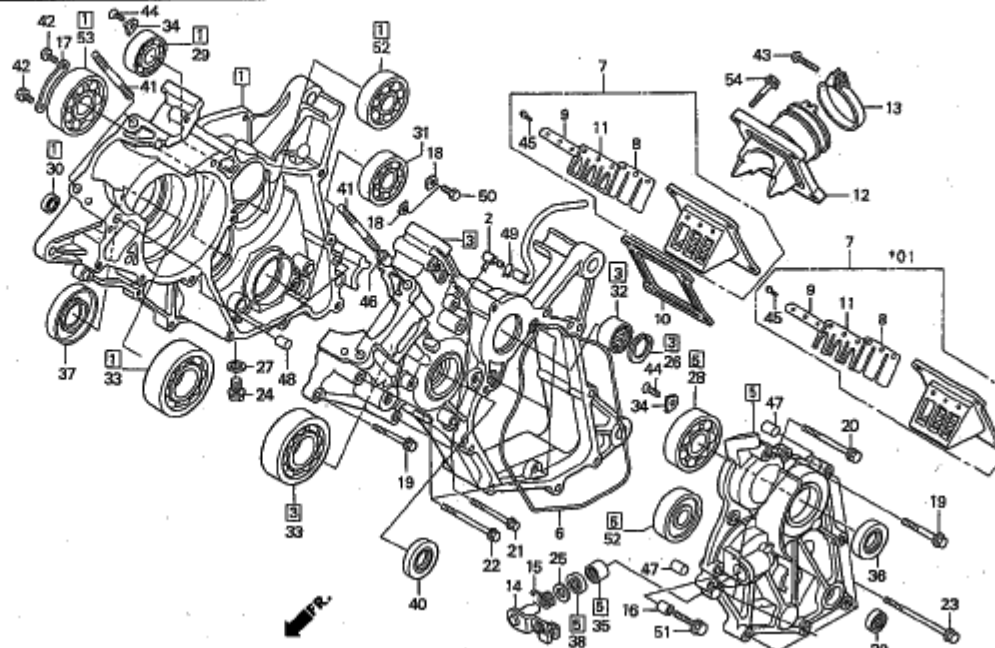


Ref. No.	Part No.	Description	Reqd. No. '01 '02	Remarks	Ref. No.	Part No.	Description	Reqd. No. '01 '02	Remarks
• 1	11100-NX4-710	CRANKCASE COMP., R.	1 1		18	23521-KW3-000	BEARING SET PLATE A	2 2	
2	11106-GM2-300	JOINT, breather	1 1		19	90001-GHB-670	BOLT, flange, SHF, 6 x 25	5 5	
• 3	11200-NX4-780	CRANKCASE COMP., L.	1 1		20	90001-GHB-720	BOLT, flange, SHF, 6 x 45	1 1	
• 4	11206-NX4-770	TUBE, breather	1 1		21	90001-GHB-740	BOLT, flange, SHF, 6 x 55	4 4	
• 5	11310-NX4-000	COVER COMP., L. crankcase	1 —		22	90001-GHB-760	BOLT, flange, SHF, 6 x 65	4 4	
•	11310-NX4-810	COVER COMP., L. crankcase	— 1		23	90001-GHB-790	BOLT, flange, SHF, 6 x 80	4 4	
• 6	11315-NX4-000	O-RING, L. cover	1 1		• 24	90081-NX4-700	BOLT, drain, 12 mm	1 1	
• 7	14100-NX4-710	VALVE ASSY., reed	(1) —		25	90401-430-000	WASHER, 10.2	1 1	
•	14100-NX4-811	VALVE ASSY., reed	1 1		• 26	90601-NX4-700	CIRCLIP, internal, 37 mm	1 1	
• 8	14111-NF5-000	REED VALVE ONLY	2 2		27	90801-ZE2-000	WASHER, plug, drain 12 mm	1 1	
• 9	14121-NX4-003	STOPPER, reed valve	2 2		28	91001-KA3-711	BEARING, ball, 6204	1 1	
• 10	14132-NF4-651	GASKET, reed valve	1 1		• 29	91001-NX4-711	BEARING, ball radial, 15 x 42 x 11.5	1 1	
• 11	14141-NX4-710	DAMPER, read valve	(2) —		30	91002-KA4-003	BEARING, ball, 7 x 19 x 6	1 1	
•	14141-NX4-811	DAMPER, read valve	2 2		31	91004-KY4-900	BEARING, ball radial, 6905U	1 1	
• 12	16210-NX4-780	INSULATOR, carburetor	1 1		• 32	91005-NX4-701	BEARING, needle, 28 x 37 x 17	1 1	
13	16223-KA5-690	BAND, insulator	1 1		33	91006-KY4-903	BEARING, ball radial 63/05/special	2 2	
14	22810-KS6-700	LIFTER COMP., clutch	1 1		34	91012-KA3-710	PLATE, counter shaft bearing	2 2	
15	22815-KS6-700	SPRING, clutch lever	1 1		• 35	91012-KS6-003	BEARING, needle, 10 x 14 x 15	1 1	
• 16	22819-NX4-000	STOPPER COLLAR, clutch lifter	1 1						
17	23521-HB6-000	PLATE, bearing set	1 1						

Block No.

**E-6**

**Crankcase  
2001 RS125R  
2002 RS125R**



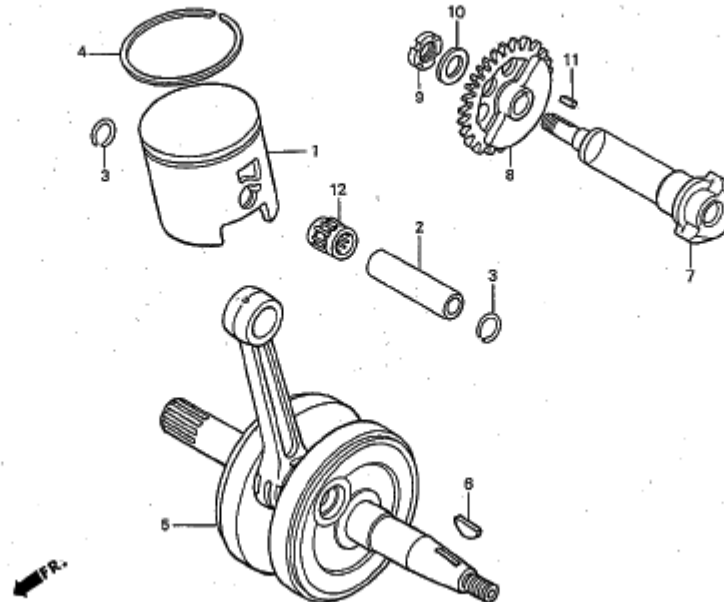
Ref. No.	Part No.	Description	Reqd. No. '01 '02	Remarks	Ref. No.	Part No.	Description	Reqd. No. '01 '02	Remarks
36	91201-KS6-004	OIL SEAL, 26 x 37 x 7 .....	1 1						
• 37	91201-NX4-003	OIL SEAL, 32 x 48 x 8 .....	1 1						
38	91202-KA3-711	OIL SEAL, 10 x 17 x 4 .....	1 1						
39	91203-KK3-830	OIL SEAL, 14 x 22 x 5 .....	1 1						
40	91205-166-004	OIL SEAL, 20 x 32 x 7 .....	1 1						
41	92900-08040-3E	BOLT, stud 2.8 x 40 .....	4 4						
42	93301-06012-0A	BOLT, hex., 6 x 12 .....	2 2						
43	93500-05028-0A	SCREW, pan, 5 x 28 .....	1 1						
44	93600-06012-0A	SCREW, flat, 6 x 12 .....	2 2						
45	93892-03008-08	SCREW-WASHER, 3 x 8 .....	6 6						
46	94301-10160	DOWEL PIN, 10 x 16 .....	2 2						
47	94303-06100	DOWEL PIN, 6 x 10 .....	2 2						
48	94303-08140	DOWEL PIN, 8 x 14 .....	2 2						
49	95002-02070	CLIP B7, tube .....	1 1						
50	96001-06012-00	BOLT, flange, SH, 6 x 12 .....	2 2						
51	96001-06025-07	BOLT, flange, SH, 6 x 25 .....	1 1						
52	96120-62030-00	BEARING, ball radial, 6203Z .....	2 2						
53	96120-62040-00	BEARING, ball radial, 6204Z .....	1 1						
54	96300-06022-00	BOLT, flange, DR, 6 x 22 .....	4 4						

Block No.

# E-7

## Piston • Crankshaft • Balancer

2001 RS125R  
2002 RS125R



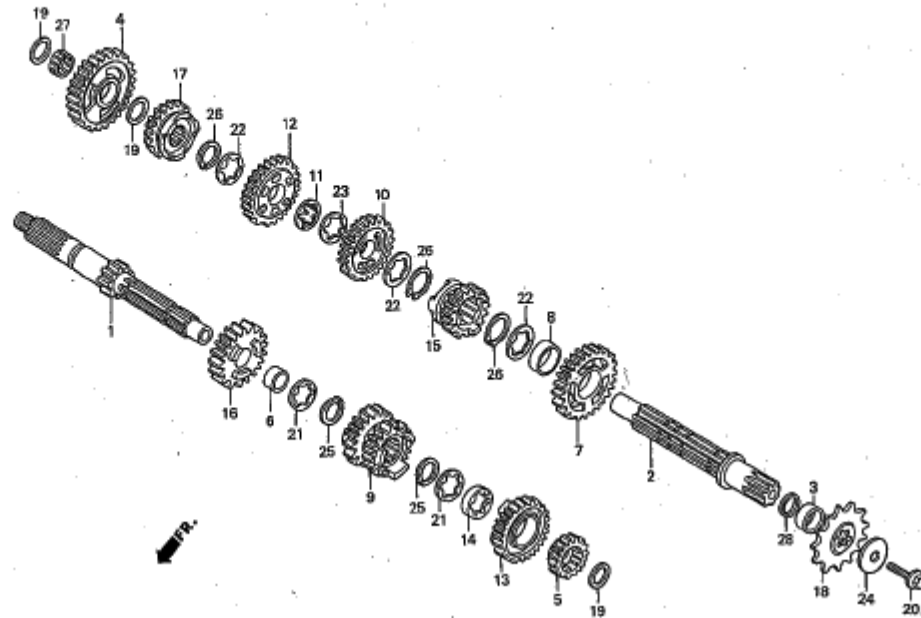
Ref. No.	Part No.	Description	Reqd. No. '01	Reqd. No. '02	Remarks	Ref. No.	Part No.	Description	Reqd. No. '01	Reqd. No. '02	Remarks
• 1	13100-NX4-780	PISTON COMP. ....	1	1							
• 2	13111-KV3-000	PIN, piston .....	1	1							
• 3	13112-NX5-700	CLIP, piston pin, 15 mm .....	2	2							
• 4	13121-NX4-811	RING, piston .....	1	1							
• 5	13121-NX5-701	RING, piston .....	(1)	—							
• 5	13300-NX4-710	CRANKSHAFT COMP. ....	1	1							
• 6	13331-360-000	KEY, special woodruff, 25 x 14 .....	1	1							
• 7	13421-NX4-700	SHAFT, balancer .....	1	1							
• 8	13431-NX4-000	GEAR, balancer driven .....	1	1							
• 9	90231-KY4-900	NUT, lock, 14 mm .....	1	1							
• 10	90433-KE1-000	WASHER, 14 mm .....	1	1							
• 11	90701-NX5-000	KEY, 4 x 4 x 7 .....	1	1							
• 12	91101-NX5-023	BEARING, conn-rod small end .....	1	1							



Block No.

# E-8

**Transmission  
2001 RS125R  
2002 RS125R**

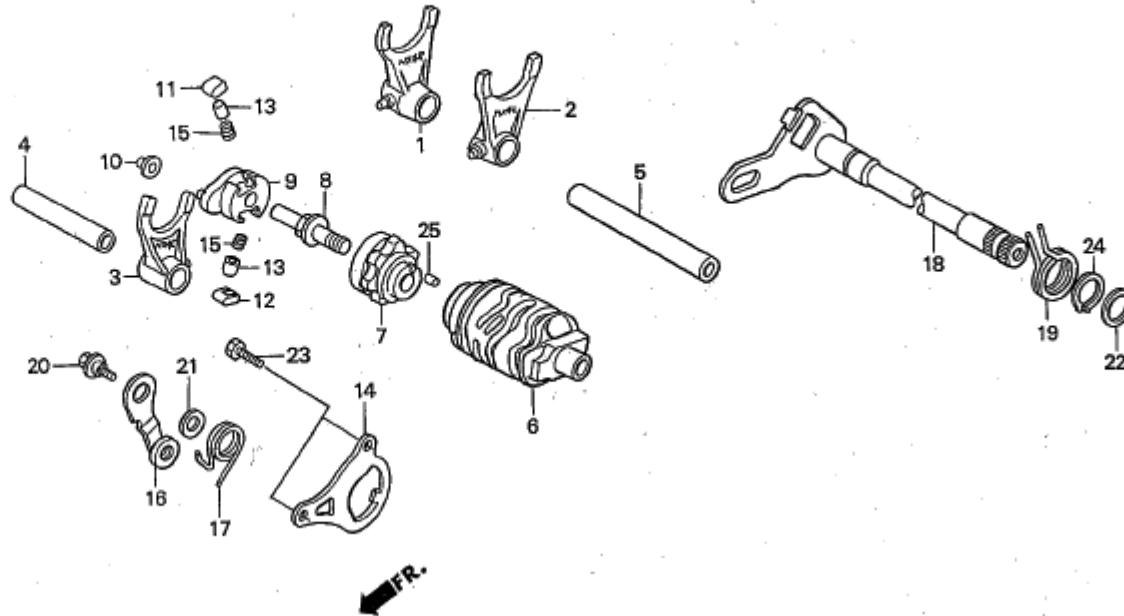


Ref. No.	Part No.	Description	Reqd. No. '01	Reqd. No. '02	Remarks	Ref. No.	Part No.	Description	Reqd. No. '01	Reqd. No. '02	Remarks
• 1	23211-NX4-000	SHAFT COMP., main .....	1	1	16T	• 8	23432-NF4-750	COLLAR, 22 x 25 x 9 .....	1	1	
•	23213-NX4-000	SHAFT COMP., main, plan-3 .....	(1)	(1)	16T	• 9	23441-NX4-000	GEAR, M-3rd/4th .....	1	1	23T/24T
•	23214-NX4-000	SHAFT COMP., main, plan-4 .....	(1)	(1)	17T	•	23441-NX4-610	GEAR, M-3rd (plan-4), 4th (plan-3) .....	(1)	(1)	22T/22T
•	23215-NX4-000	SHAFT COMP., main, plan-5 .....	(1)	(1)	16T	•	23442-NX4-000	GEAR, M-3rd (plan-2), 4th .....	(1)	(1)	20T/24T
• 2	23221-NX4-000	SHAFT, counter .....	1	1		•	23442-NX4-610	GEAR, M-3rd (plan-4), 4th (plan-4) .....	(1)	(1)	22T/21T
• 3	23225-NX4-000	COLLAR, counter shaft .....	1	1		•	23443-NX4-000	GEAR, M-3rd, 4th (plan-3) .....	(1)	(1)	23T/22T
• 4	23411-NX4-000	GEAR, C-1st .....	1	1	30T	•	23443-NX4-610	GEAR, M-3rd (plan-4), 4th (plan-6) .....	(1)	(1)	22T/20T
•	23412-NX4-000	GEAR, C-1st, plan-2 .....	(1)	(1)	31T	•	23444-NX4-000	GEAR, M-3rd (plan-2), 4th (plan-3) .....	(1)	(1)	20T/22T
•	23413-NX4-000	GEAR, C-1st, plan-3 .....	(1)	(1)	32T	•	23444-NX4-610	GEAR, M-3rd (plan-6), 4th .....	(1)	(1)	21T/24T
•	23414-NX4-000	GEAR, C-1st, plan-4 .....	(1)	(1)	30T	•	23445-NX4-000	GEAR, M-3rd, 4th (plan-4) .....	(1)	(1)	23T/21T
•	23415-NX4-000	GEAR, C-1st, plan-5 .....	(1)	(1)	29T	•	23445-NX4-610	GEAR, M-3rd (plan-6), 4th (plan-3) .....	(1)	(1)	21T/22T
• 5	23421-NX4-000	GEAR, M-2nd .....	1	1	21T	•	23446-NX4-000	GEAR, M-3rd, 4th (plan-6) .....	(1)	(1)	23T/20T
•	23422-NX4-000	GEAR, M-2nd, plan-2 .....	(1)	(1)	18T	•	23446-NX4-610	GEAR, M-3rd (plan-6), 4th (plan-4) .....	(1)	(1)	21T/21T
•	23423-NX4-000	GEAR, M-2nd, plan-3 .....	(1)	(1)	19T	•	23447-NX4-000	GEAR, M-3rd (plan-2), 4th (plan-4) .....	(1)	(1)	20T/21T
•	23424-NX4-000	GEAR, M-2nd, plan-4 .....	(1)	(1)	17T	•	23447-NX4-610	GEAR, M-3rd (plan-6), 4th (plan-6) .....	(1)	(1)	21T/20T
•	23425-NX4-000	GEAR, M-2nd, plan-5 .....	(1)	(1)	18T	•	23448-NX4-000	GEAR, M-3rd (plan-2), 4th (plan-6) .....	(1)	(1)	20T/20T
6	23422-GB4-770	BUSH, 20 x 9 .....	1	1		•	23449-NX4-000	GEAR, M-3rd (plan-4), 4th .....	(1)	(1)	22T/24T
• 7	23431-NX4-700	GEAR, C-2nd .....	1	1	32T	• 10	23451-NX4-680	GEAR, C-3rd .....	1	1	30T
•	23433-NX4-700	GEAR, C-2nd, plan-3 .....	(1)	(1)	28T	•	23452-NX4-680	GEAR, C-3rd, plan-2 .....	(1)	(1)	27T
•	23434-NX4-700	GEAR, C-2nd, plan-4 .....	(1)	(1)	29T	•	23453-NX4-680	GEAR, C-3rd, plan-3 .....	(1)	(1)	29T
•	23435-NX4-700	GEAR, C-2nd, plan-5 .....	(1)	(1)	28T	•	23454-NX4-680	GEAR, C-3rd, plan-4 .....	(1)	(1)	31T
•	23436-NX4-700	GEAR, C-2nd, plan-6 .....	(1)	(1)	27T	•	23455-NX4-680	GEAR, C-3rd, plan-5 .....	(1)	(1)	29T
						•	23456-NX4-680	GEAR, C-3rd, plan-6 .....	(1)	(1)	27T

Block No.

### E-9

**Gear shift fork  
Gear shift drum  
2001 RS125R  
2002 RS125R**

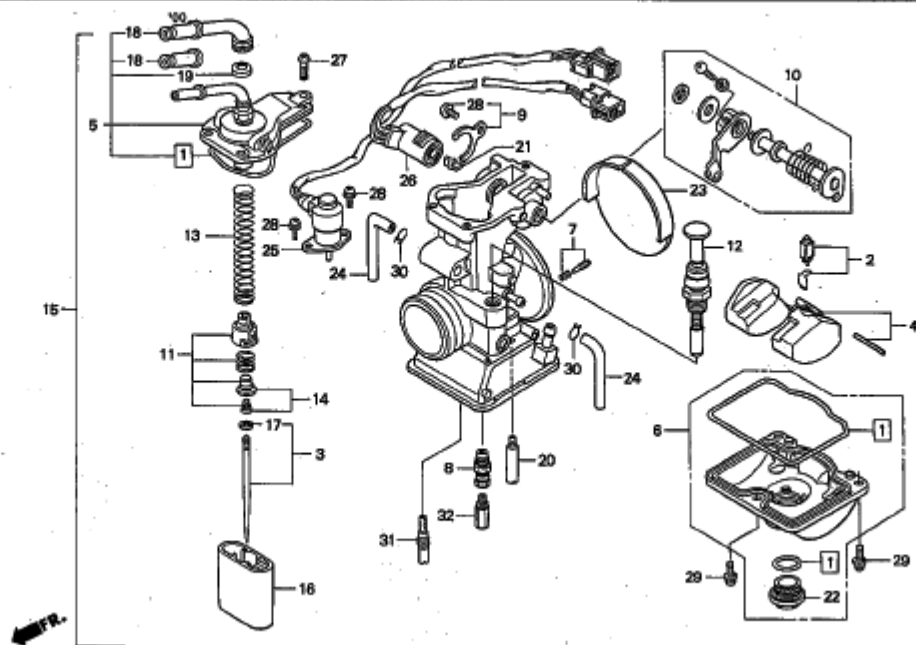


Ref. No.	Part No.	Description	Reqd. '01	No. '02	Remarks	Ref. No.	Part No.	Description	Reqd. '01	No. '02	Remarks
• 1	24211-NX4-000	FORK, R. gear shift .....	1	1		20	90022-MG8-000	PIVOT, shift drum stopper arm .....	1	1	
• 2	24221-NX4-000	FORK, L. gear shift .....	1	1		21	90435-HB3-000	WASHER, 6.1 mm .....	1	1	
• 3	24231-NX4-000	FORK, C. gear shift .....	1	1		22	90451-155-000	WASHER, 14 mm .....	1	1	
• 4	24265-NX4-000	SHAFT, shift fork M. ....	1	1		23	93301-06012-0A	BOLT, hex., 6 x 12 .....	2	2	
• 5	24266-NX4-000	SHAFT, shift fork C. ....	1	1		24	94510-14000	CIRCLIP, external, 14 .....	1	1	
• 6	24311-NX4-000	DRUM, gear shift .....	1	1		25	96220-40080	ROLLER, 4 x 8 .....	1	1	
7	24312-KA3-741	CENTER, shift drum .....	1	1							
8	24315-HA0-000	PIN, shifter .....	1	1							
9	24321-KZ4-620	SHIFTER, drum .....	1	1							
10	24322-HA0-000	COLLAR, shifter .....	1	1							
11	24324-KA3-711	PAWL A, ratchet .....	1	1							
12	24325-KA3-711	PAWL B, ratchet .....	1	1							
13	24326-KBH-901	PLUNGER, pawl .....	2	2							
• 14	24328-NX4-000	PLATE, guide .....	1	1							
15	24329-KA3-740	SPRING, pawl plunger .....	2	2							
16	24430-KA3-740	STOPPER COMP., drum .....	1	1							
• 17	24435-NF4-760	SPRING, drum stopper .....	1	1							
• 18	24610-NX4-000	SPINDLE COMP., shift .....	1	1							
• 19	24651-NX4-710	SPRING, shift return .....	1	1							

Block No.

# E-10

**Carburetor  
2001 RS125R  
2002 RS125R**

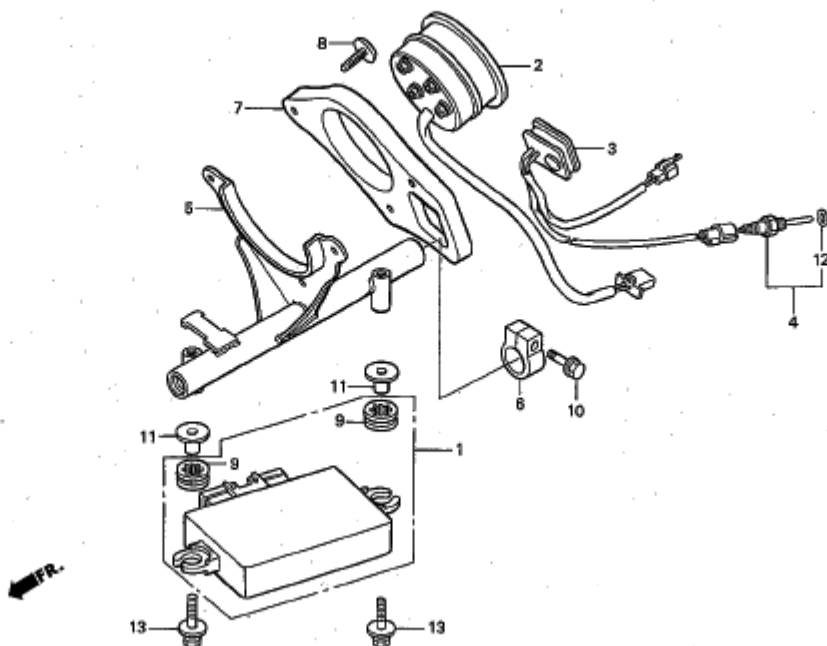


Ref. No.	Part No.	Description	Reqd. '01	No. '02	Remarks	Ref. No.	Part No.	Description	Reqd. '01	No. '02	Remarks
• 1	16010-NX4-780	GASKET SET .....	1	1		• 8	16017-NX4-780	HOLDER SET, main jet .....	(1)	(1)	(ø3.6)
• 2	16011-KA3-741	VALVE SET, float .....	1	1		•	16041-NX5-791	HOLDER SET, main jet .....	(1)	(1)	MARK 37
• 3	16201-NX4-780	NEEDLE SET, jet 1265/3466/2351/1159 .....	(1)	(1)	65-34	•	16017-NX5-791	HOLDER SET, main jet .....	1	1	MARK 39
•	16202-NX4-780	NEEDLE SET, jet 1266/3466/2351/1159 .....	(1)	(1)	66-34	• 9	16018-NX4-780	SET PLATE, set .....	1	1	
•	16012-NX4-780	NEEDLE SET, jet 1267/3466/2351/1159 .....	(1)	(1)	67-34	• 10	16033-NX4-780	LEVER COMP SET, throttle .....	1	1	
•	16203-NX4-780	NEEDLE SET, jet 1268/3466/2351/1159 .....	1	1	68-34	• 11	16037-NX4-781	SPRING SET, throttle .....	1	1	
•	16204-NX4-780	NEEDLE SET, jet 1269/3466/2351/1159 .....	(1)	(1)	69-34	• 12	16046-NX4-681	VALVE, starter .....	1	1	
•	16205-NX4-780	NEEDLE SET, jet 1270/3466/2351/1159 .....	(1)	(1)	70-34	• 13	16050-NX4-780	SPRING, compression coil .....	1	1	
•	16206-NX4-780	NEEDLE SET, jet 1271/3466/2351/1159 .....	(1)	(1)	71-34	• 14	16070-NX4-781	SET COLLAR SET, spring .....	1	1	
•	16207-NX4-780	NEEDLE SET, jet 1272/3466/2351/1159 .....	(1)	(1)	72-34	• 15	16100-NX4-711	CARBURETOR ASSY. ....	1	1	
•	16230-NX4-780	NEEDLE SET, jet 1265/3366/2350/1159 .....	(1)	(1)	65-33	• 16	16111-NX4-780	THROTTLE VALVE # 6.0 .....	1	1	
•	16231-NX4-780	NEEDLE SET, jet 1266/3366/2350/1159 .....	(1)	(1)	66-33	•	16112-NX4-780	THROTTLE VALVE # 5.0 .....	(1)	(1)	
•	16232-NX4-780	NEEDLE SET, jet 1267/3366/2350/1159 .....	(1)	(1)	67-33	•	16113-NX4-780	THROTTLE VALVE # 5.5 .....	(1)	(1)	
•	16233-NX4-780	NEEDLE SET, jet 1268/3366/2350/1159 .....	(1)	(1)	68-33	•	16114-NX4-780	THROTTLE VALVE # 6.5 .....	(1)	(1)	
•	16234-NX4-780	NEEDLE SET, jet 1269/3366/2350/1159 .....	(1)	(1)	69-33	17	16115-GHB-610	CLIP, bar .....	1	1	
•	16235-NX4-780	NEEDLE SET, jet 1270/3366/2350/1159 .....	(1)	(1)	70-33	18	16118-166-004	CAP, cable sealing .....	1	1	
•	16236-NX4-780	NEEDLE SET, jet 1271/3366/2350/1159 .....	(1)	(1)	71-33	• 19	16118-NX4-711	CAP, rubber .....	1	1	
•	16237-NX4-780	NEEDLE SET, jet 1272/3366/2350/1159 .....	(1)	(1)	72-33	• 20	16121-NX4-780	JET COMP., power jet # 35 .....	(1)	(1)	
• 4	16013-NX4-780	FLOAT SET .....	1	1		•	16121-NX5-791	JET COMP., power jet # 38 .....	(1)	(1)	
• 5	16014-NX4-711	TOP SET .....	1	1		•	16122-NX4-780	JET COMP., power jet # 40 .....	1	1	
• 6	16015-NX4-780	CHAMBER SET, float .....	1	1							
• 7	16017-NX6-000	SCREW SET, A .....	1	1							

Block No.

**F-1**

**Meter • Meter panel  
2001 RS125R  
2002 RS125R**

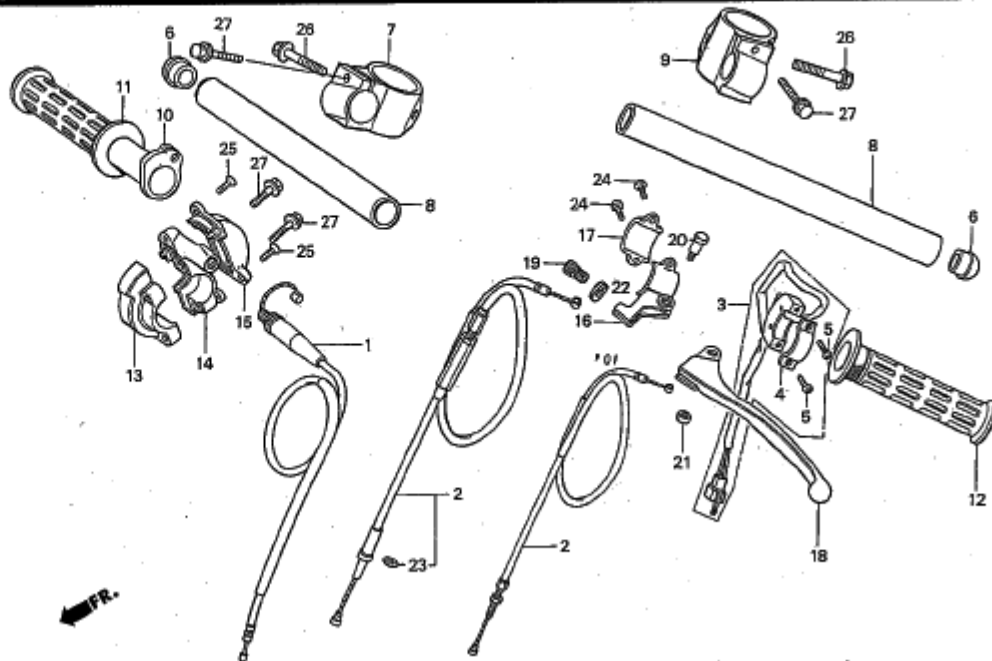


Ref. No.	Part No.	Description	Reqd. No. '01	Reqd. No. '02	Remarks	Ref. No.	Part No.	Description	Reqd. No. '01	Reqd. No. '02	Remarks
• 1	30400-NX4-711	UNIT ASSY., engine control .....	1	1							
• 2	37250-NF4-771	TACHOMETER ASSY. ....	1	1							
•	37250-NX4-731	TACHOMETER ASSY. ....	(1)	(1)	OP						
• 3	37460-NX4-701	INDICATOR ASSY., water temp. ....	1	1							
• 4	37870-NF4-611	SENSOR ASSY., T.W. ....	1	1							
• 5	50810-NX4-680	STAY COMP., center front cowl .....	1	1							
• 6	50811-NX4-680	BAND, D25 .....	1	1							
• 7	50815-NX4-000	PANEL, meter .....	1	1							
• 8	50816-NX4-000	CLIP, Xmas tree .....	3	3							
• 9	80116-MR1-000	RUBBER B, rear cowl mount .....	2	2							
• 10	90004-GHB-670	BOLT flange, SHF, 6 x 25 .....	1	1							
• 11	90502-KS5-000	COLLAR, 19 x 6.2 x 13.5 .....	2	2							
• 12	91307-PK2-005	O-RING, 1.5 x 9.5 .....	1	1							
• 13	93404-06028-00	BOLT-WASHER, 6 x 28 .....	2	2							

Block No.

## F-2

**Cable • Switch •  
Handlebar (Handle pipe)  
2001 RS125R  
2002 RS125R**



Ref. No.	Part No.	Description	Reqd. No. '01	Reqd. No. '02	Remarks	Ref. No.	Part No.	Description	Reqd. No. '01	Reqd. No. '02	Remarks
• 1	17910-NX4-780	CABLE COMP., throttle .....	1	1		20	90114-310-000	BOLT, handle lever pivot .....	1	1	
• 2	22870-NX4-000	CABLE COMP., clutch .....	1	—		• 21	90302-NX5-000	U-NUT, hex., 6 mm .....	1	1	
• 3	22870-NX4-810	CABLE COMP., clutch .....	—	1		22	90321-KF0-000	NUT, fixing .....	1	1	
• 3	35130-NX4-000	SWITCH ASSY., engine stop .....	1	1		23	91357-KA4-004	O-RING, 5.8 x 1.9 .....	—	1	
4	35132-KR5-013	PLATE, set .....	1	1		24	93500-05016-0A	SCREW, pan, 5 x 16 .....	2	2	
5	35133-KJ2-003	SCREW, pan, 4 x 12 .....	2	2		25	93700-04010-0G	SCREW, oval, 4 x 10 .....	2	2	
• 6	53105-NF4-770	CAP, handle pipe .....	2	2		26	95801-08030-00	BOLT, flange, 8 x 30 .....	2	2	
• 7	53110-NX4-000	HOLDER, R. handle .....	1	1		27	96001-06022-00	BOLT, flange, SH, 6 x 22 .....	4	4	
• 8	53111-NX4-000	PIPE, handle .....	2	2							
• 9	53120-NX4-000	HOLDER, L. handle .....	1	1							
• 10	53141-NF4-003	PIPE, throttle grip .....	1	1							
11	53165-422-000	GRIP, R. handle .....	1	1							
12	53166-422-000	GRIP, L. handle .....	1	1							
13	53167-KS6-000	HOUSING, A grip .....	1	1							
14	53168-KS6-000	HOUSING, B grip .....	1	1							
15	53169-ML3-790	COVER, housing B .....	1	1							
16	53172-430-003	BRACKET, L. handle lever .....	1	1							
17	53173-376-000	HOLDER, lever bracket .....	1	1							
18	53178-399-700	LEVER, L. steering handle .....	1	1							
19	53192-KA3-700	BOLT, wire adjust .....	1	1							

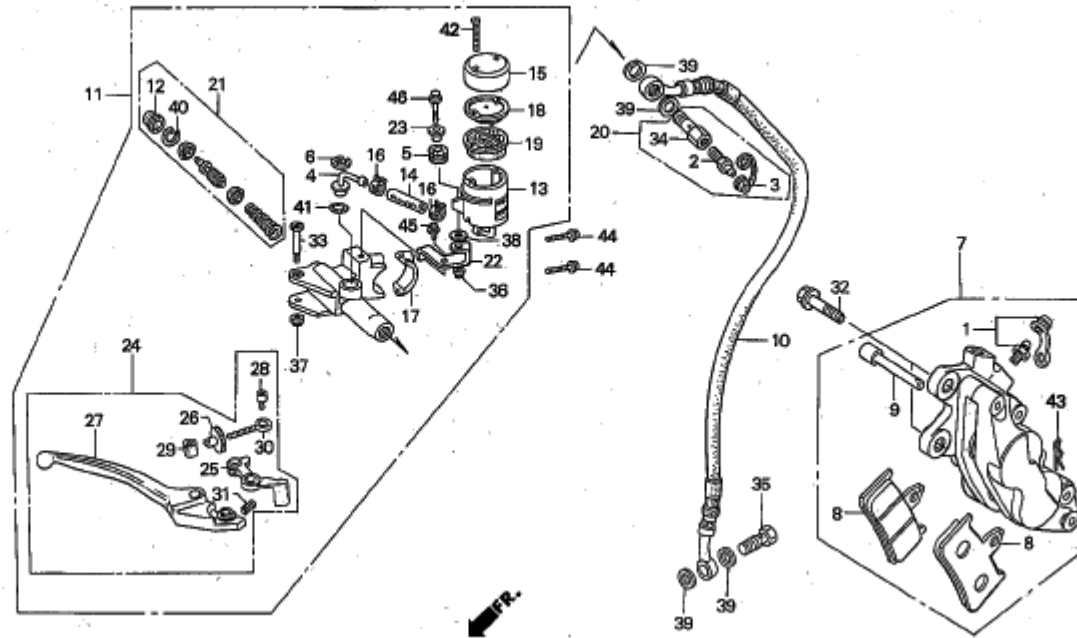
Block No.

**F-3**

**Front brake caliper •  
Front brake mastercylinder  
2001 RS125R  
2002 RS125R**

**▲ WARNING**

NEVER use the '96 CAST iron disk (45120-NX4-004) and '97 • '98 pads (45105-NX4-770) for SUS DISK together.

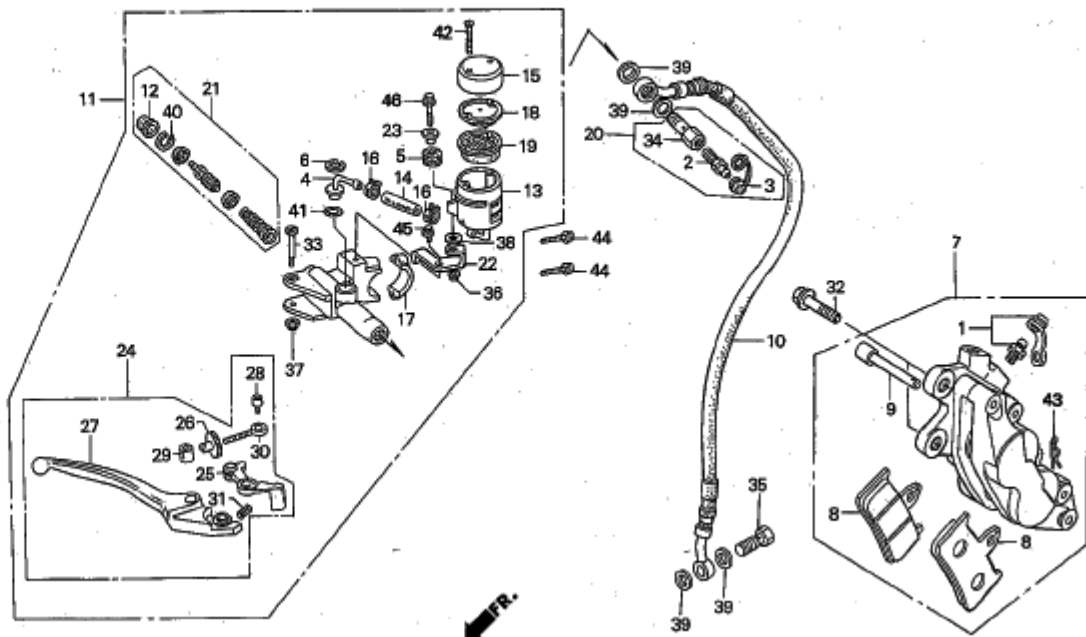


Ref. No.	Part No.	Description	Reqd. No. '01	Reqd. No. '02	Remarks	Ref. No.	Part No.	Description	Reqd. No. '01	Reqd. No. '02	Remarks
• 1	43352-NX5-004	BLEEDER COMP. ....	1	1		• 20	45530-NF4-650	BOLT ASSY., oil bleeder .....	1	1	
2	43352-568-003	SCREW, bleeder .....	1	1		21	45530-471-831	CYLINDER SET, master .....	1	1	
3	43353-461-771	CAP, bleeder .....	1	1		• 22	45550-NX4-003	STAY, front mastercylinder .....	1	1	
4	43503-KS6-701	CONNECTOR .....	1	1		23	50324-425-010	COLLAR, 6.3 × 13 .....	1	1	
5	43516-HA2-000	RUBBER, oil cup mount .....	1	1		24	53170-MW0-006	LEVER ASSY., R. handle .....	1	1	
6	43517-KS6-701	CIRCLIP, rear mastercylinder .....	1	1		• 25	53171-MW0-006	KNOCKER, mastercylinder .....	1	1	
• 7	45100-NX4-770	CALIPER ASSY., R. front .....	1	1		26	53172-KV0-006	ADJUSTER, handle lever R. ....	1	1	
• 8	45105-NX4-770	PAD COMP., brake .....	2	2	For SUS DISK	• 27	53175-MW0-006	LEVER, handle R. ....	1	1	
• 9	45109-NX5-004	PIN, hanger .....	1	1		28	53177-KV0-006	BOLT, lever socket, 5 × 5 .....	1	1	
• 10	45125-NX4-003	HOSE, front brake .....	1	—		29	53179-KV0-006	JOINT, lever .....	1	1	
•	45125-NX4-811	HOSE, front brake .....	—	1		30	53180-KV0-006	BOLT, adjust .....	1	1	
• 11	45500-NX4-003	MASTERCYLINDER ASSY., front brake .....	1	1		31	53181-KV0-006	SPRING, handle lever .....	1	1	
12	45504-410-003	BOOT COMP. ....	1	1		• 32	90111-NX4-710	BOLT, flange, 10 × 31 .....	2	2	With wire lock hole
13	45511-KV3-016	OIL CUP COMP. ....	1	1		33	90114-MA5-671	BOLT, handle lever .....	1	1	
14	45512-MR7-006	HOSE, mastercylinder oil .....	1	1		• 34	90145-NF4-650	BOLT, oil bleeder .....	1	1	
15	45513-KV3-006	CAP, oil cup .....	1	1		• 35	90145-NX4-710	OIL BOLT, 10 × 21.5 .....	1	1	
16	45514-KV3-006	CLAMP, mastercylinder oil hose .....	2	2		36	90301-MG3-000	U-NUT, 6 mm .....	1	1	
17	45517-166-006	HOLDER, mastercylinder .....	1	1		• 37	90302-NX5-000	U-NUT, hex., 6 mm .....	1	1	
18	45518-KV3-006	PLATE, diaphragm .....	1	1		38	90473-147-000	WASHER, 6 × 16 .....	1	1	
19	45520-KV3-006	DIAPHRAGM .....	1	1							

Block No.

**F-3**

**Front brake caliper •  
Front brake mastercylinder  
2001 RS125R  
2002 RS125R**

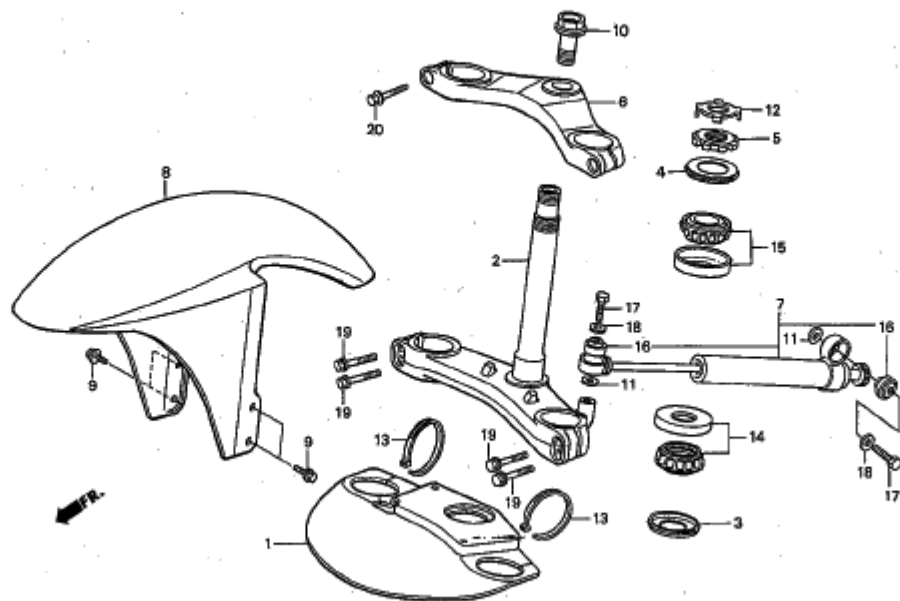


Ref. No.	Part No.	Description	Reqd. No. '01 '02	Remarks	Ref. No.	Part No.	Description	Reqd. No. '01 '02	Remarks
39	90601-ZE1-000	WASHER, plug drain, 10 mm .....	4 4						
40	90651-MA5-671	CIRCLIP .....	1 1						
41	91212-422-006	O-RING, 14.8 x 2.4 .....	1 1						
42	93600-04050-1G	SCREW, flat, 4 x 50 .....	2 2						
43	94251-05000	PIN, lock, 5 mm .....	1 1						
44	95801-06025-00	BOLT, flange, 6 x 25 .....	2 2						
45	96300-06012-07	BOLT, flange, DR, 6 x 12 .....	1 1						
46	96300-06028-07	BOLT, flange, DR, 6 x 28 .....	1 1						

Block No.

# F-4

Steering stem •  
Steering damper •  
Front fender  
2001 RS125R  
2002 RS125R



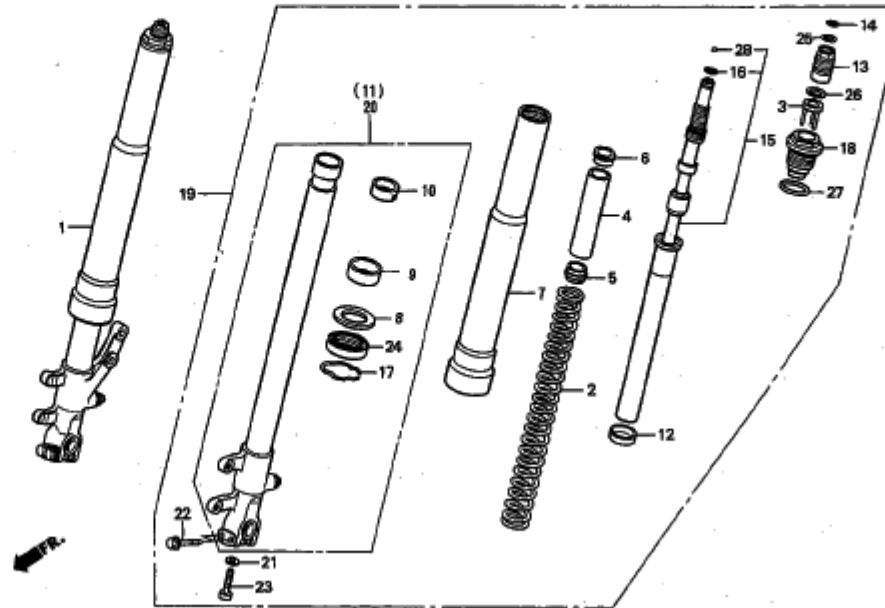
Ref. No.	Part No.	Description	Reqd. No. '01	Reqd. No. '02	Remarks	Ref. No.	Part No.	Description	Reqd. No. '01	Reqd. No. '02	Remarks
• 1	50820-NX4-000	COVER, steering under .....	1	1		19	95801-08028-00	BOLT, flange, 8 × 28 .....	4	4	
• 2	53200-NX4-000	STEM COMP., steering, 32.5 .....	1	1		20	95801-08032-00	BOLT, flange, 8 × 32 .....	2	2	
• 3	53200-NX4-610	STEM COMP., steering, 30 .....	(1)	(1)							
• 4	53214-KZ4-701	DUST-SEAL, steering head .....	1	1							
• 5	53214-430-003	DUST-SEAL, steering head .....	1	1							
• 6	53229-NX4-000	THREAD, steering .....	1	1							
• 7	53230-NX4-000	BRIDGE, fork top, 32.5 .....	1	1							
• 8	53230-NX4-610	BRIDGE, fork top, 30 .....	(1)	(1)							
• 9	53700-NF4-900	DAMPER ASSY., steering .....	1	1							
• 10	61100-NX4-770	FENDER, front .....	1	1							
• 11	90108-GK1-000	BOLT, flange, SH, 6 × 12 .....	4	4							
• 12	90303-NX4-000	BOLT, steering stem .....	1	1							
• 13	90465-MC4-000	WASHER, 8 mm .....	2	2							
• 14	90506-NX4-000	STOPPER, steering thread .....	1	1							
• 15	90651-NC8-000	TIE-WRAP, 3.6 × 281 .....	2	2							
• 16	91015-KZ4-701	BEARING, head pipe .....	1	1							
• 17	91015-425-831	BEARING, head pipe up .....	1	1							
• 18	91060-NL0-003	BEARING, spherical, 8 mm .....	2	2							
• 19	92201-08032-0A	BOLT, hex., 8 × 32 .....	2	2							
• 20	94102-08000	WASHER, plain, 8 mm .....	2	2							



Block No.

# F-5

Front fork  
2001 RS125R  
2002 RS125R

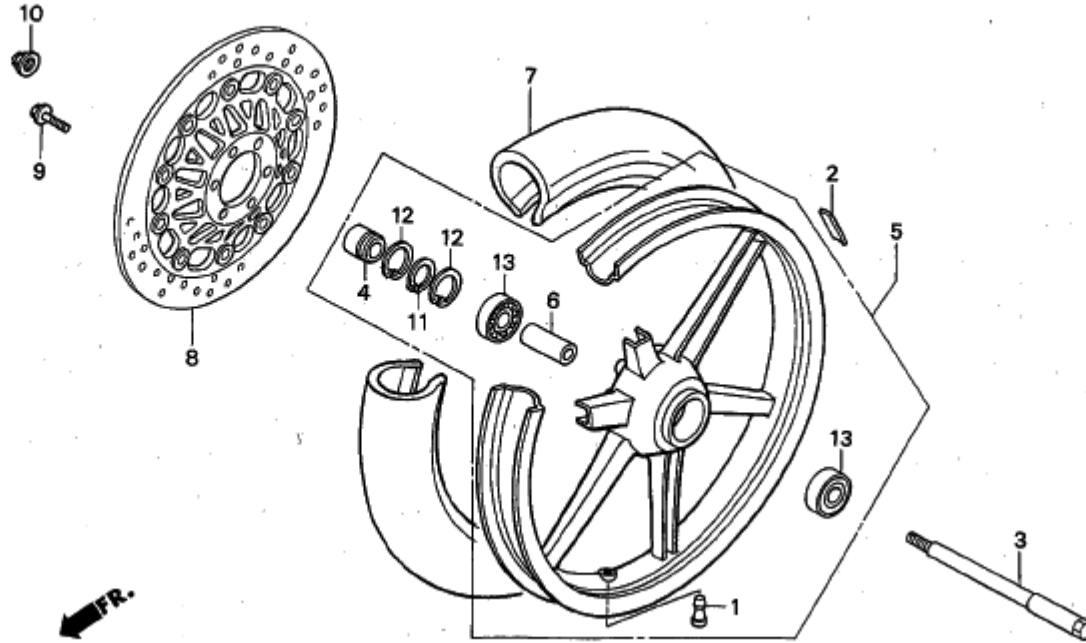


Ref. No.	Part No.	Description	Reqd. '01	No. '02	Remarks	Ref. No.	Part No.	Description	Reqd. '01	No. '02	Remarks
• 1	51400-NX4-711	FORK ASSY., R. front .....	1	—		• 16	51436-NF5-761	EXPANDER .....	2	2	
•	51400-NX4-811	FORK ASSY., R. front .....	—	1		17	51447-KL4-951	RING, oil seal stop .....	2	2	
• 2	51401-NX4-003	SPRING, front fork .....	2	2	K = 0.6	• 18	51454-NX4-003	BOLT, front fork .....	2	2	
•	51402-NX4-003	SPRING, front fork H .....	(2)	(2)	K = 0.65	• 19	51500-NX4-711	FORK ASSY., L. front .....	1	—	
•	51403-NX4-003	SPRING, front fork S .....	(2)	(2)	K = 0.55	•	51500-NX4-811	FORK ASSY., L. front .....	—	1	
• 3	51404-NF5-611	PLATE COMP., spring adjust .....	2	2		• 20	51520-NX4-711	PIPE COMP., L. slide .....	1	—	
• 4	51404-NX4-003	COLLAR, spring .....	2	2		•	51520-NX4-811	PIPE COMP., L. slide .....	—	1	
• 5	51405-NX4-003	PLATE, spring joint .....	2	2		21	52442-KA3-711	WASHER, special, 10 mm .....	2	2	
• 6	51406-NX4-003	STOPPER, spring seat .....	2	2		22	90107-KF0-000	BOLT, flange, DR, 8 x 40 .....	4	4	
• 7	51410-NX4-711	TUBE, outer .....	2	2		23	90126-MR7-003	BOLT, socket, 10 x 35 .....	2	2	
8	51412-422-003	RING, back up .....	2	2		• 24	91255-NX4-771	SEAL, oil, 35 x 48 x 11 .....	2	2	
• 9	51414-NX4-701	BUSH, guide .....	2	2		25	91311-MR7-003	O-RING, 13.8 x 2.4 .....	2	2	
• 10	51415-NX4-701	BUSH, slide .....	2	2		• 26	91351-NF5-611	O-RING, 23.7 x 2.4 .....	2	2	
• 11	51420-NX4-711	PIPE COMP., R. slide .....	1	—		27	91356-KA4-711	O-RING, 35.2 x 2.4 .....	2	2	
•	51420-NX4-811	PIPE COMP., R. slide .....	—	1		28	96211-04000	BALL, steel 4 .....	2	2	
12	51421-MW4-003	PLATE, centering .....	2	2							
• 13	51422-NF5-611	ADJUSTER, spring .....	2	2							
• 14	51423-NF5-611	RING B, stopper .....	2	2							
• 15	51430-NX5-711	DAMPER COMP., front .....	2	—							
•	51430-NX4-811	DAMPER COMP., front .....	—	2							

Block No.

**F-6**

**Front wheel  
2001 RS125R  
2002 RS125R**



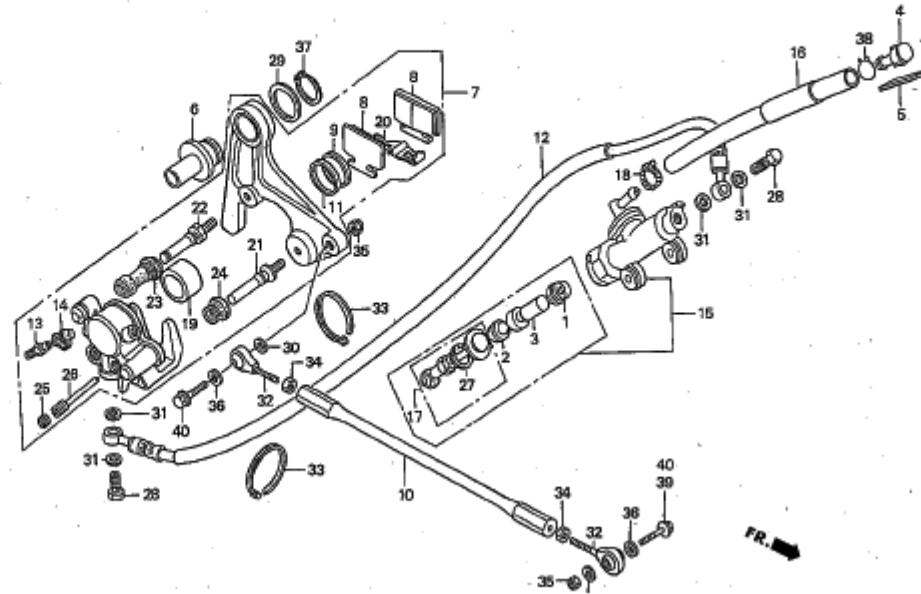
**▲ WARNING**  
NEVER use the '96 CAST iron disk (45120-NX4-004) and '97-'98 pads (45105-NX4-770) for SUS DISK together.

Ref. No.	Part No.	Description	Reqd. '01	No. '02	Remarks	Ref. No.	Part No.	Description	Reqd. '01	No. '02	Remarks
• 1	42704-NF5-710	VALVE, wheel .....	(1)	(1)	Aluminium						
	42753-ML7-004	VALVE, rim (DUN) .....	1	1							
• 2	42720-NC8-000	WEIGHT, balancer, 10G .....	N	N							
•	42721-NC8-000	WEIGHT, balancer, 20G .....	N	N							
• 3	44301-NX4-000	AXLE, front wheel .....	1	1							
• 4	44303-NF4-000	COLLAR, front wheel side .....	1	1							
• 5	44600-NF4-650	WHEEL SET, front (2.50 x 17) .....	1	—	WHITE						
•	44600-NX4-306	WHEEL SET, front (2.50 x 17) .....	—	1	BLACK						
• 6	44620-NF4-000	COLLAR, front wheel distance .....	1	1							
7	—	TIRE, front 90/580 R17 (BS) .....	—	1	No sale by HRC						
	—	TIRE, front 95/580 R17 (BS) .....	1	—	No sale by HRC						
• 8	45120-NX4-681	DISK COMP., R. front brake .....	1	1	SUS (Steel)						
9	90003-MC7-000	BOLT, flange, 6 x 20 .....	6	6							
•	90113-ND5-761	BOLT, flange, 6 x 20 .....	(6)	(6)	With wire lock hole						
10	90305-GE8-003	U-NUT, 14 mm .....	1	1							
• 11	90651-NF4-000	CIRCLIP, external 26 .....	1	1							
• 12	90652-NF4-000	CIRCLIP, internal 35 .....	2	2							
13	98140-62020-10	BEARING, ball radial, 6202U .....	2	2							

Block No.

# F-7

**Rear brake caliper •  
Rear brake mastercylinder  
2001 RS125R  
2002 RS125R**

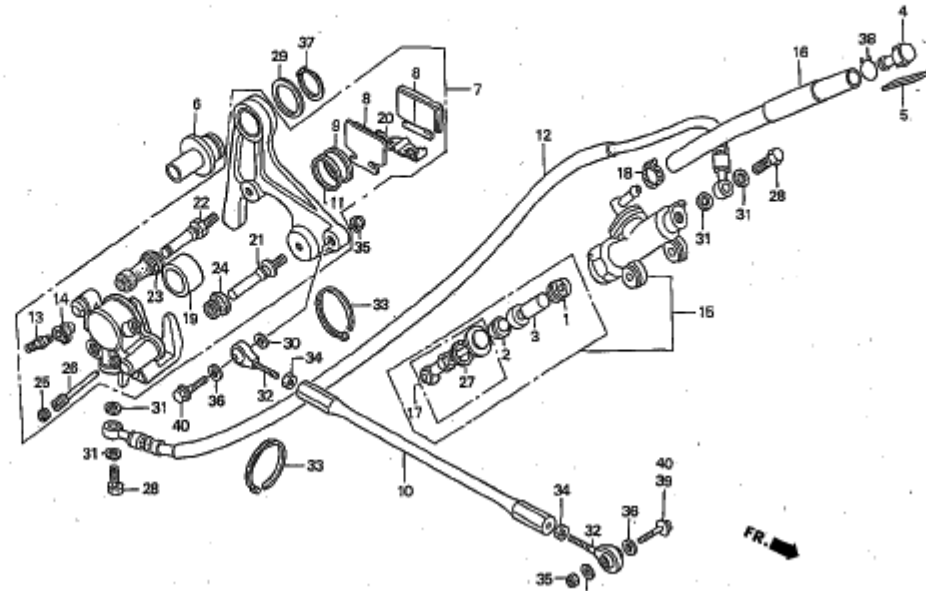


Ref. No.	Part No.	Description	Reqd. No. '01	Reqd. No. '02	Remarks	Ref. No.	Part No.	Description	Reqd. No. '01	Reqd. No. '02	Remarks
• 1	04601-ND5-760	CUP, primary .....	1	1		21	45131-HA5-672	PIN BOLT, A .....	1	1	
• 2	04602-ND5-760	CUP, secondary .....	1	1		22	45131-166-016	PIN,bolt .....	1	1	
• 3	04603-NF4-770	PISTON, rear .....	1	1		23	45132-166-016	BUSH, pin .....	1	1	
4	17370-419-700	PLUG, breather tube .....	1	1		24	45133-MA3-006	BOOT, B .....	1	1	
5	19105-MR8-300	CUSHION, tank reserve .....	1	1		25	45203-MG3-016	PLUG, pin .....	2	2	
• 6	42305-NX4-000	COLLAR, caliper bracket .....	1	1		26	45215-GE2-016	HANGER PIN .....	2	2	
• 7	43100-NF5-611	CALIPER ASSY., rear .....	1	1		27	46182-500-013	CIRCLIP, master cylinder .....	1	1	
• 8	43105-NF5-611	PAD COMP. ....	2	2		28	90145-MS9-612	OIL BOLT, 10 x 22 .....	2	2	
9	43109-MA3-006	DUST SEAL .....	1	1		29	90475-425-000	WASHER, thrust, 30 mm .....	1	1	
• 10	43111-NX4-000	ROD, rear brake torque .....	1	1		30	90485-GB4-790	WASHER, 8 mm .....	2	2	
11	43209-MA3-006	SEAL, piston .....	1	1		31	90601-ZE1-000	WASHER, plug, drain, 10 mm .....	4	4	
• 12	43310-NX4-003	HOSE, rear brake .....	1	1		• 32	91048-NX4-710	ROD END, 8 mm .....	2	2	
13	43352-568-003	SCREW, bleeder .....	1	1		33	91058-MG9-681	BAND, self lock .....	2	2	
14	43353-461-771	CAP, bleeder .....	1	1		34	94002-08000-0S	NUT, hex., 8 mm .....	2	2	
• 15	43500-NF4-770	MASTER CYLINDER ASSY., rear .....	1	1		35	94050-08000	NUT, flange, 8 mm .....	2	2	
• 16	43503-NX4-000	V-TUBE, 9 x 13 x 275 .....	1	1		36	94102-08000	WASHER, plain, 8 mm .....	2	2	
• 17	43504-NF4-770	ROD ASSY. ....	1	1		37	94510-30000	CIRCLIP, external, 30 .....	1	1	
• 18	43541-ND5-750	CLAMP .....	1	1		38	95002-02120	CLIP, B12 tube .....	1	1	
19	45107-GM9-711	PISTON .....	1	1		39	95801-08032-00	BOLT, flange, 8 x 32 .....	1	—	
20	45108-GM9-741	PAD SPRING .....	1	1		40	95801-08035-00	BOLT, flange, 8 x 35 .....	1	2	

Block No.

**F-7**

**Rear brake caliper •  
Rear brake mastercylinder  
2001 RS125R  
2002 RS125R**

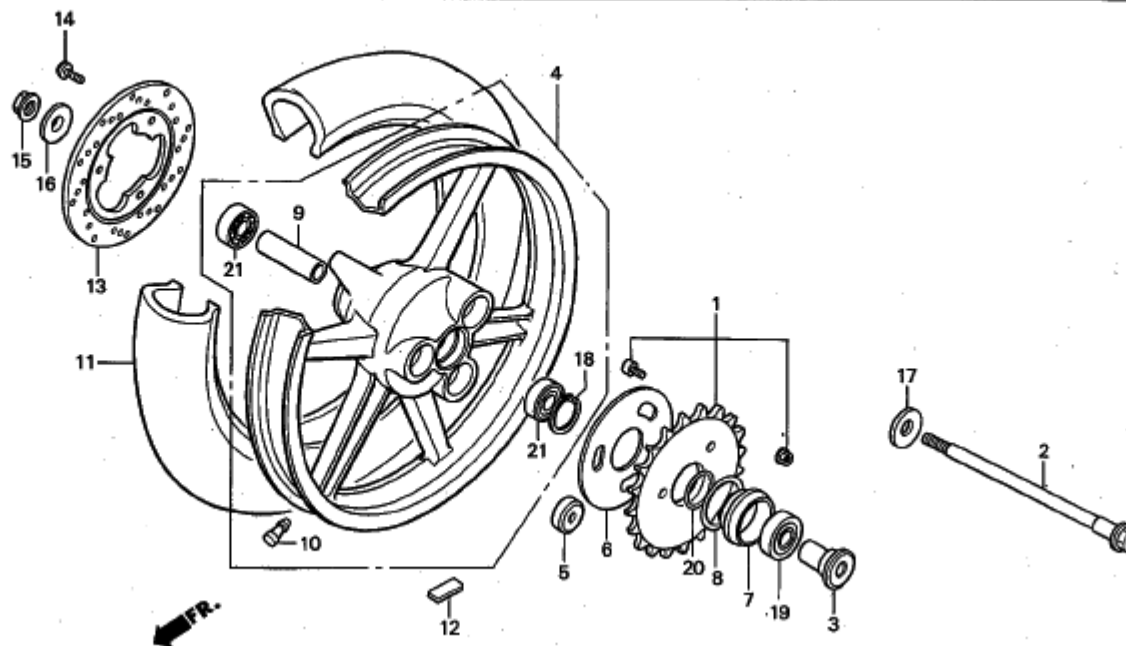


Ref. No.	Part No.	Description	Reqd. No. '01	Reqd. No. '02	Remarks	Ref. No.	Part No.	Description	Reqd. No. '01	Reqd. No. '02	Remarks
• 1	04601-ND5-760	CUP, primary .....	1	1		21	45131-HA5-672	PIN BOLT, A .....	1	1	
• 2	04602-ND5-760	CUP, secondary .....	1	1		22	45131-166-016	PIN,bolt .....	1	1	
• 3	04603-NF4-770	PISTON, rear .....	1	1		23	45132-166-016	BUSH, pin .....	1	1	
4	17370-419-700	PLUG, breather tube .....	1	1		24	45133-MA3-006	BOOT, B .....	1	1	
5	19105-MR8-300	CUSHION, tank reserve .....	1	1		25	45203-MG3-016	PLUG, pin .....	2	2	
• 6	42305-NX4-000	COLLAR, caliper bracket .....	1	1		26	45215-GE2-016	HANGER PIN .....	2	2	
• 7	43100-NF5-611	CALIPER ASSY., rear .....	1	1		27	46182-500-013	CIRCLIP, master cylinder .....	1	1	
• 8	43105-NF5-611	PAD COMP. ....	2	2		28	90145-MS9-612	OIL BOLT, 10 x 22 .....	2	2	
9	43109-MA3-006	DUST SEAL .....	1	1		29	90475-425-000	WASHER, thrust, 30 mm .....	1	1	
• 10	43111-NX4-000	ROD, rear brake torque .....	1	1		30	90485-GB4-790	WASHER, 8 mm .....	2	2	
11	43209-MA3-006	SEAL, piston .....	1	1		31	90601-ZE1-000	WASHER, plug, drain, 10 mm .....	4	4	
• 12	43310-NX4-003	HOSE, rear brake .....	1	1		• 32	91048-NX4-710	ROD END, 8 mm .....	2	2	
13	43352-568-003	SCREW, bleeder .....	1	1		33	91058-MG9-681	BAND, self lock .....	2	2	
14	43353-461-771	CAP, bleeder .....	1	1		34	94002-08000-0S	NUT, hex., 8 mm .....	2	2	
• 15	43500-NF4-770	MASTER CYLINDER ASSY., rear .....	1	1		35	94050-08000	NUT, flange, 8 mm .....	2	2	
• 16	43503-NX4-000	V-TUBE, 9 x 13 x 275 .....	1	1		36	94102-08000	WASHER, plain, 8 mm .....	2	2	
• 17	43504-NF4-770	ROD ASSY. ....	1	1		37	94510-30000	CIRCLIP, external, 30 .....	1	1	
• 18	43541-ND5-750	CLAMP .....	1	1		38	95002-02120	CLIP, B12 tube .....	1	1	
19	45107-GM9-711	PISTON .....	1	1		39	95801-08032-00	BOLT, flange, 8 x 32 .....	1	—	
20	45108-GM9-741	PAD SPRING .....	1	1		40	95801-08035-00	BOLT, flange, 8 x 35 .....	1	2	

Block No.

# F-8

**Rear wheel  
2001 RS125R  
2002 RS125R**

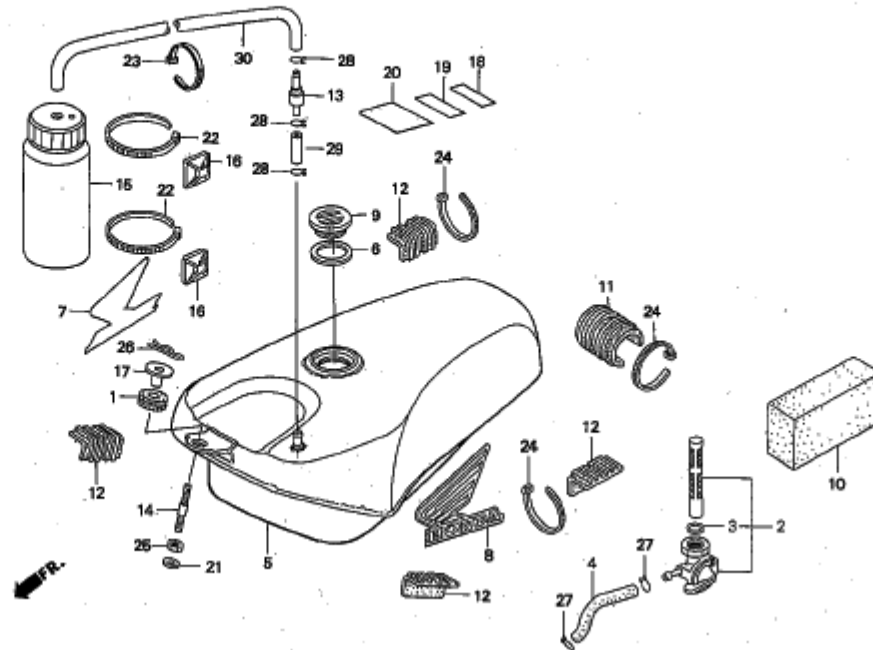


Ref. No.	Part No.	Description	Reqd. '01	No. '02	Remarks	Ref. No.	Part No.	Description	Reqd. '01	No. '02	Remarks
• 1	41102-NF4-760	SPROCKET ASSY., final driven 32T .....	(1)	(1)		11	---	TIRE, rear 120/595 R17 (BS) .....	1	1	No sale by HRC
•	41103-NF4-760	SPROCKET ASSY., final driven 33T .....	(1)	(1)		• 12	42720-NC8-000	WEIGHT, balance, 10G .....	N	N	
•	41104-NF4-760	SPROCKET ASSY., final driven 34T .....	(1)	(1)		•	42721-NC8-000	WEIGHT, balance, 20G .....	N	N	
•	41105-NF4-760	SPROCKET ASSY., final driven 35T .....	(1)	(1)		• 13	43122-NF5-760	DISK, brake .....	1	1	SUS (Steel)
•	41106-NF4-760	SPROCKET ASSY., final driven 36T .....	1	1		14	90105-KR3-000	BOLT, front disk, 8 x 24 .....	3	3	
•	41107-NF4-760	SPROCKET ASSY., final driven 37T .....	(1)	(1)		15	90305-GE8-003	U-NUT, 14 mm .....	1	1	
•	41108-NF4-760	SPROCKET ASSY., final driven 38T .....	(1)	(1)		• 16	90411-NX4-000	WASHER, 14 x 32 x 1 .....	1	1	
•	41109-NF4-760	SPROCKET ASSY., final driven 39T .....	(1)	(1)		• 17	90456-NX4-000	WASHER, 18 x 32 x 1 .....	1	1	
•	41110-NF4-760	SPROCKET ASSY., final driven 40T .....	(1)	(1)		• 18	90652-NF4-000	CIRCLIP, internal 35 .....	1	1	
• 2	42301-NX4-000	AXLE, rear wheel .....	1	1		• 19	91052-NF4-000	BEARING, ball radial, 6904UU .....	1	1	
• 3	42304-NX4-000	COLLAR, rear wheel side .....	1	1		20	91357-964-006	O-RING, 31 .....	1	1	
• 4	42600-NX4-000	WHEEL SET, rear (3.50 x 17) .....	1	—	WHITE						
•	42600-NX4-306	WHEEL SET, rear (3.50 x 17) .....	—	1	BLACK						
• 5	42615-ND5-750	RUBBER, rear wheel damper .....	3	3		21	96140-62020-10	BEARING, ball radial, 6202U .....	2	2	
• 6	42616-NF4-000	WASHER, sprocket .....	1	1							
• 7	42617-NF4-770	COLLAR, sprocket .....	1	1							
• 8	42618-NF4-000	WASHER, collar sprocket 0.2 .....	N	N							
•	42619-NF4-000	WASHER, collar sprocket 0.3 .....	N	N							
• 9	42620-NX4-000	COLLAR, rear wheel distance .....	1	1							
• 10	42704-NF5-710	VALVE, wheel .....	(1)	(1)	Aluminium						
	42753-ML7-004	VALVE, rim (DUN) .....	1	1							

Block No.

**F-9**

**Fuel tank**  
**2001 RS125R**  
**2002 RS125R**

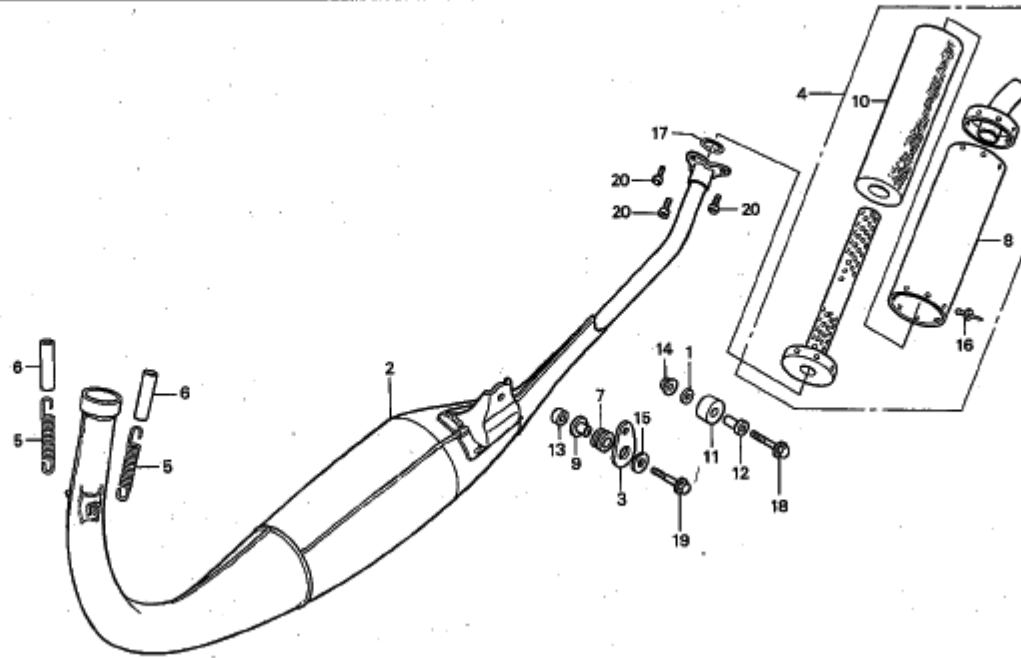


Ref. No.	Part No.	Description	Reqd. '01	No. '02	Remarks	Ref. No.	Part No.	Description	Reqd. '01	No. '02	Remarks
1	15604-MG7-000	GROMMET, oil cooler .....	1	1		21	90443-GC8-000	WASHER, thrust, 8 mm .....	1	1	
• 2	16950-NF5-003	VALVE ASSY., fuel .....	1	1		• 22	90651-NC8-000	TIE-WRAP, 3,6 x 281 .....	2	2	
3	16958-MA1-731	O-RING, 10,6 x 1,3 .....	1	1		• 23	90652-ND5-000	TIE-WRAP, 2,4 x 92 .....	1	1	
• 4	16960-NX4-700	TUBE, fuel .....	1	1		24	91058-MG9-681	BAND, self lock .....	3	3	
• 5	17510-NX4-680	TANK COMP., fuel .....	1	1		25	94002-08000-0S	NUT, hex., 8 mm .....	1	1	
• 6	17515-NX5-770	PACKING, fuel cap .....	1	1		26	94252-10100	PIN, lock, 10 mm .....	1	1	
• 7	17516-NF4-610	WING MARK, R. side .....	1	1		27	95002-02120	CLIP, B12 tube .....	2	2	
• 8	17517-NF4-610	WING MARK, L. side .....	1	1		28	95002-45000	CLIP, C8 tube .....	3	3	
• 9	17521-NX4-680	CAP, fuel tank .....	1	1		• 29	95003-10003-31	VINYL-TUBE, 5 x 8 x 30 .....	1	1	No sale by HRC I.D. 5 mm x 30 mm
• 10	17522-NF5-690	SPONGE, baffle .....	3	3		• 30	95003-10060-31	VINYL-TUBE, 5 x 8 x 600 .....	1	1	No sale by HRC I.D. 5 mm x 600 mm
• 11	17528-NC8-000	RUBBER, fuel tank mount rear .....	1	1							
• 12	17528-NF4-000	RUBBER, fuel tank mount B .....	4	4							
• 13	17625-NF4-003	VALVE COMP., check .....	1	1							
• 14	17629-NX4-000	PIN, tank mount .....	1	1							
• 15	19602-NF4-810	TANK, catch 250 .....	1	1							
• 16	32114-NF4-780	BASE, TYLAP .....	2	2							
17	80115-GS3-000	SIDE COLLAR, rear fender .....	1	1							
• 18	87207-NX4-870	MARK, caution .....	1	1							
• 19	87208-NC2-000	MARK, caution .....	1	1							
20	87560-357-671	MARK, caution .....	1	1							

Block No.

# F-10

**Expansion chamber •  
Chain roller  
2001 RS125R  
2002 RS125R**

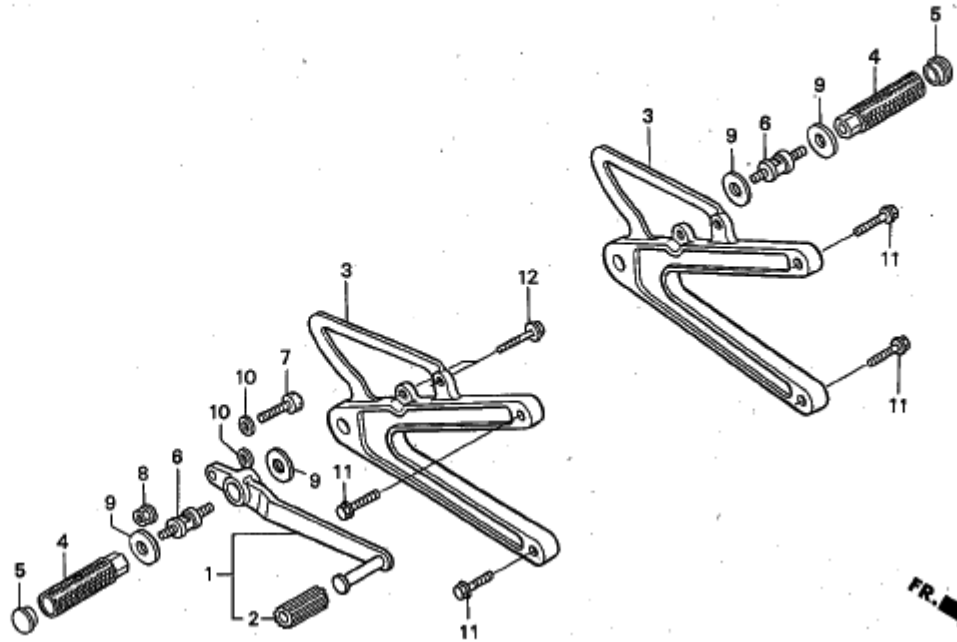


Ref. No.	Part No.	Description	Reqd. '01	No. '02	Remarks	Ref. No.	Part No.	Description	Reqd. '01	No. '02	Remarks
1	17936-921-000	WASHER, pivot.....	1	1		19	96001-06032-00	BOLT, flange, SH, 6 x 32 .....	1	1	
• 2	18310-NX4-710	EXPANSION CHAMBER COMP. ....	1	1		• 20	96700-06012-17	SOCKET BOLT, 6 x 12 .....	3	3	
• 3	18326-NX4-710	STAY, chamber .....	1	1							
• 4	18330-NX4-780	SILENCER ASSY. ....	1	1							
5	18332-KS6-000	SPRING, exhaust pipe.....	2	2							
• 6	18333-ND4-760	TUBE, spring .....	2	—							
	14539-KCZ-300	TUBE, tensioner spring .....	—	2							
7	18334-KA3-830	RUBBER, silencer .....	1	1							
• 8	18334-NX4-780	BODY, outer .....	1	1							
9	18336-KS6-700	COLLAR, silencer mount .....	1	1							
• 10	18336-NX4-780	GLASS WOOL.....	1	1							
11	52158-HB5-003	ROLLER, chain .....	1	1							
• 12	52159-NX4-000	COLLAR, chain roller .....	1	1							
13	75133-960-000	COLLAR .....	1	—							
	17202-ZV4-300	COLLAR, distance .....	—	1							
14	90301-473-003	U-NUT, 6 mm .....	1	1							
15	90506-430-000	WASHER, fender mount .....	1	1							
• 16	91081-NF4-003	RIVET, blind, 3.2 .....	16	16							
17	91361-MT3-003	O-RING, 24.5 x 1.9 .....	1	1							
18	95801-06050-00	BOLT, flange, 6 x 50 .....	1	1							

Block No.

## F-11

Brake pedal •  
Footpeg (Step arm)  
2001 RS125R  
2002 RS125R



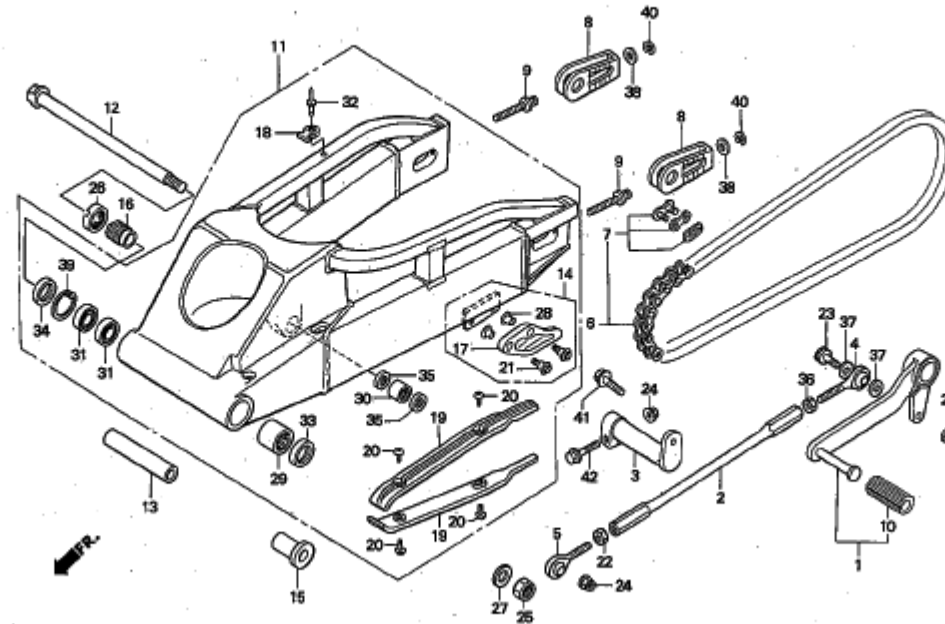
Ref. No.	Part No.	Description	Reqd. No. '01	No. '02	Remarks	Ref. No.	Part No.	Description	Reqd. No. '01	No. '02	Remarks
• 1	46500-NF4-780	PEDAL COMP., brake .....	1	1							
• 2	46501-ND4-750	RUBBER, pedal .....	1	1							
• 3	50600-NX4-770	HOLDER, step .....	2	2							
• 4	50610-NL5-760	ARM, step .....	2	2							
• 5	50612-NL5-760	END, step, arm .....	2	2							
• 6	50643-NX4-770	BOSS, pedal, pivot .....	2	2							
• 7	90211-NX4-771	BOLT, socket, 6 × 25 .....	1	1							
8	90301-473-003	U-NUT, 6 mm .....	1	1							
9	90504-MA6-000	WASHER, 8.5 × 26 .....	4	4							
10	94101-06000	WASHER, plain, 6 mm .....	2	2							
11	95701-08030-00	BOLT, flange, 8 × 30 .....	4	4							
12	95801-06022-00	BOLT, flange, 6 × 22 .....	2	2							



Block No.

# F-12

**Gear shift pedal  
(Change pedal) •  
Rear swingarm  
2001 RS125R  
2002 RS125R**

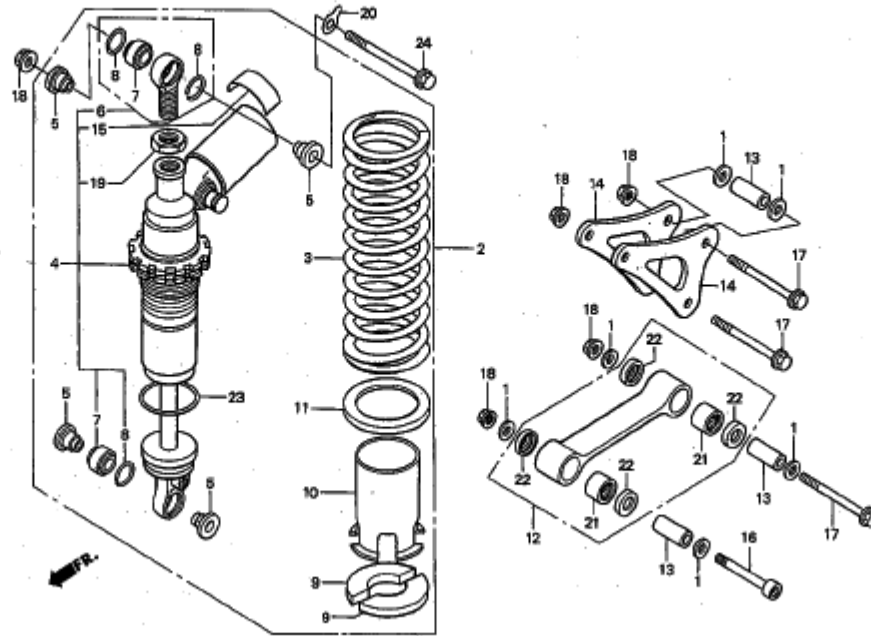


Ref. No.	Part No.	Description	Reqd. No. '01	Reqd. No. '02	Remarks	Ref. No.	Part No.	Description	Reqd. No. '01	Reqd. No. '02	Remarks
• 1	24700-NF4-780	PEDAL COMP., change .....	1	1		• 19	52170-NX4-000	SLIDER, chain .....	2	2	
• 2	24706-NX4-000	ROD, change .....	1	1		20	90101-692-000	SCREW, truss G. box .....	4	4	
• 3	24710-NX4-000	ARM, gear change .....	1	1		21	90110-GE0-710	BOLT, flange, 6 mm .....	2	2	
• 4	24711-NX4-710	ROD END, 6 mm A .....	1	1		22	90201-KV3-700	NUT, tie rod B .....	1	1	
• 5	24712-NX4-710	ROD END, 6 mm B .....	1	1		• 23	90211-NX4-771	BOLT, socket, 6 x 25 .....	1	1	
• 6	40530-NX4-811	CHAIN, drive (RK415HRU-120RJ) .....	1	1		24	90301-473-003	U-NUT, 6 mm .....	3	3	
• 7	40531-NF4-632	JOINT SET, drive chain (DID415ER) .....	(1)	(1)		25	90305-KZ4-890	U-NUT, 18 mm .....	1	1	
• 8	40543-NX4-000	ADJUSTER, chain .....	2	2		• 26	90355-NX4-000	NUT, swingarm pivot .....	1	1	
• 9	40545-NX4-000	BOLT, chain adjuster .....	2	2		27	90401-KZ4-890	WASHER, 18 x 32 x 2 .....	1	1	
• 10	46501-ND4-750	RUBBER, pedal .....	1	1		28	90522-028-000	WASHER, chain case setting .....	2	2	
• 11	52100-NX4-710	SWING ARM ASSY. ....	1	1		29	91071-MR7-003	BEARING, needle .....	1	1	
• 12	52101-NX4-680	BOLT, swing arm pivot .....	1	1		30	91071-MY1-005	BEARING, needle, 17 x 24 x 17 .....	1	1	
• 13	52102-NX4-000	COLLAR, distance swing arm .....	1	1		• 31	91072-MR7-003	BEARING, ball radial, 20 x 37 x 9 .....	2	2	
• 14	52105-NX4-305	CHAIN GUARD SET. ....	—	—	'94-'97	• 32	91080-NF5-710	RIVET, 4.0 x 8.6 .....	1	1	
• 15	52106-NX4-000	COLLAR B, pivot .....	1	1		33	91202-MR7-003	DUST SEAL, 28 x 37 x 4 .....	1	1	
• 16	52109-NX4-000	BOLT, adjust pivot .....	1	1		34	91214-MR7-003	DUST SEAL, 26 x 37 x 5 .....	1	1	
17	52156-GAN-670	GUARD, chain .....	1	1		35	91262-KV3-831	DUST SEAL, 17 x 24 x 5 .....	2	2	
• 18	52161-NF5-710	HOSE BASE, saddle .....	1	1							

Block No.

# F-13

**Rear shock absorber  
(Rear cushion) •  
Shock link  
(Cushion rod)  
2001 RS125R  
2002 RS125R**

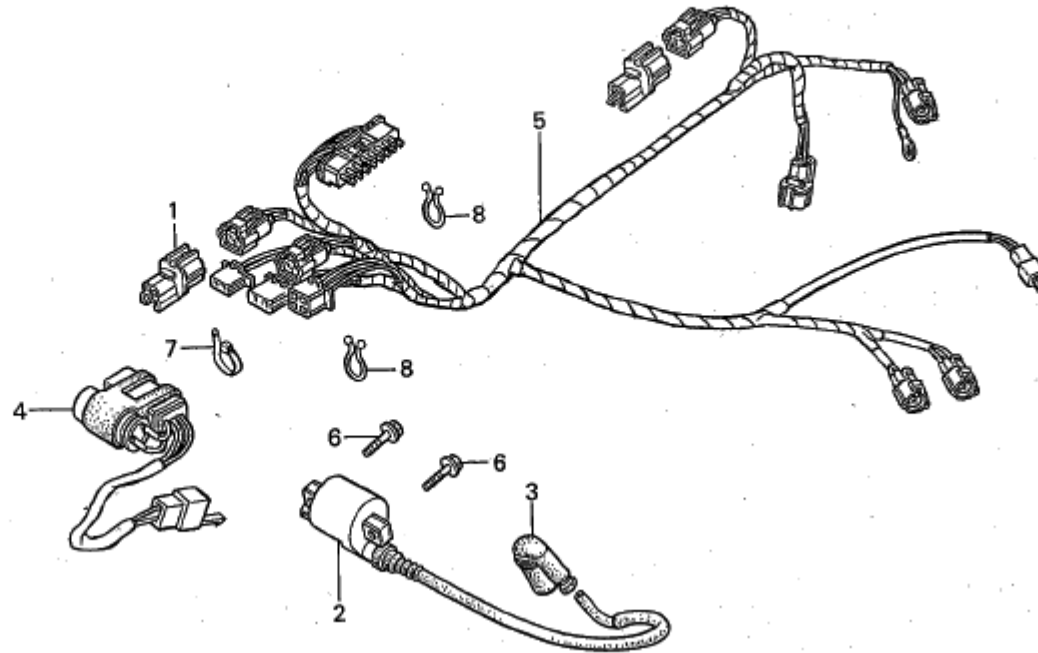


Ref. No.	Part No.	Description	Reqd. '01	No. '02	Remarks	Ref. No.	Part No.	Description	Reqd. '01	No. '02	Remarks
1	24707-MR7-000	WASHER, change pivot .....	6	—		16	90110-MR8-000	BOLT, socket, 10 x 52 .....	1	1	
• 2	52400-NX4-741	CUSHION ASSY., rear .....	1	—		17	90154-HA8-000	BOLT, flange, 10 x 52 .....	3	3	
•	52400-NX4-841	CUSHION ASSY., rear .....	—	1		18	90304-GA6-003	NUT, axle .....	5	5	
• 3	52401-NX4-003	SPRING, rear cushion .....	1	1	K = 8.0	• 19	90306-NF5-951	NUT, lock, 16 mm .....	1	1	
•	52402-NX4-003	SPRING, rear cushion H .....	(1)	(1)	K = 8.5	• 20	90510-NX4-000	SHIM, engine mount 0.2 .....	N	N	
•	52403-NX4-003	SPRING, rear cushion S .....	(1)	(1)	K = 7.5	•	90511-NX4-000	SHIM, engine mount 0.6 .....	N	N	
•	52404-NX4-701	SPRING, rear cushion 7.0 .....	(1)	(1)	K = 7.0	•	90512-NX4-000	SHIM, engine mount 1.0 .....	N	N	
•	52405-NX4-701	SPRING, rear cushion 6.5 .....	(1)	(1)	K = 6.5	•	90513-NX4-000	SHIM, engine mount 1.5 .....	N	N	
• 4	52410-NX4-741	DAMPER COMP., rear .....	1	—		21	91071-MY1-005	BEARING, needle, 17 x 24 x 17 .....	2	2	
•	52410-NX4-841	DAMPER COMP., rear .....	—	1		22	91262-KV3-831	DUST SEAL, 17 x 24 x 5 .....	4	4	
• 5	52411-NX4-003	COLLAR, damper up .....	4	4		23	91356-KZ3-003	O-RING, 44.7 x 2.4 .....	1	1	
• 6	52420-NX4-003	JOINT COMP., upper .....	1	1		24	95801-10060-00	BOLT, flange, 10 x 60 .....	1	1	
• 7	52422-NF5-952	BEARING, spherical .....	2	2							
8	52424-GC4-831	RING, stopper .....	3	3							
• 9	52455-NF4-781	STOPPER, spring seat .....	2	2							
• 10	52458-NX4-003	GUIDE, spring .....	1	1							
• 11	52459-NX4-003	SEAT, spring .....	1	1							
• 12	52460-NX4-000	ROD ASSY., cushion .....	1	1							
• 13	52465-NX4-000	COLLAR, cushion arm .....	3	3							
• 14	52471-NX4-000	PLATE, cushion arm .....	2	2							
15	87516-KZ1-600	LABEL, rear damper .....	1	1							

Block No.

## F-14

Ignition coil •  
Wire harness  
2001 RS125R  
2002 RS125R

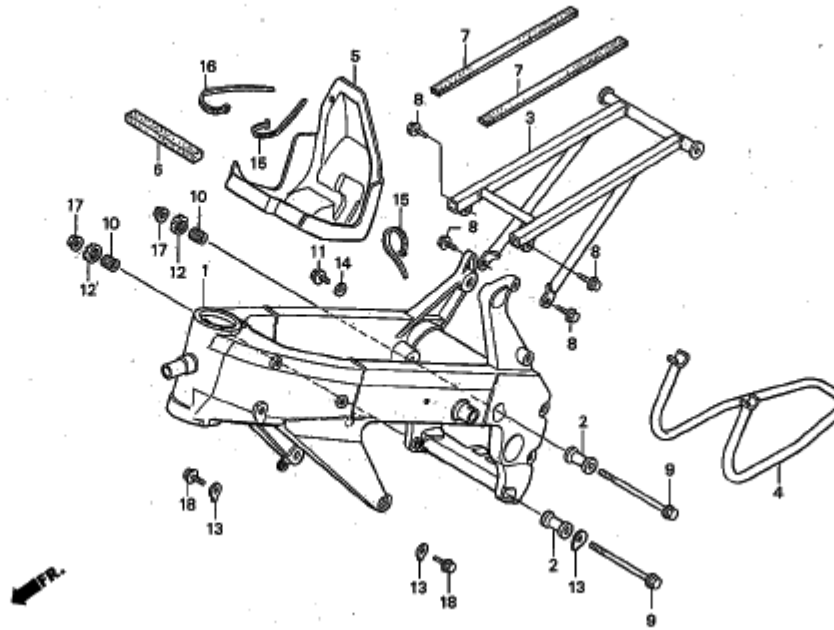


Ref. No.	Part No.	Description	Reqd. No.		Remarks	Ref. No.	Part No.	Description	Reqd. No.		Remarks
			'01	'02					'01	'02	
• 1	30411-NX5-790	COUPLER, P/J mode 1 .....	1	1							
•	30412-NX5-790	COUPLER, P/J mode 2 .....	(1)	(1)							
•	30413-NX5-790	COUPLER, P/J mode 3 .....	(1)	(1)							
• 2	30500-NX4-003	COIL COMP., ignition .....	1	1							
• 3	30700-NX4-000	CAP ASSY., noise suppressor .....	1	1							
• 4	31600-NX4-000	REGULATE RECTIFIER COMP. (DC) .....	1	1							
• 5	32100-NX4-710	HARNESS, wire .....	1	—							
•	32100-NX4-810	HARNESS, wire .....	(1)	1							
6	90197-MN5-000	BOLT, flange, 5 x 20 .....	2	2							
7	90650-MA6-720	BAND, harness .....	1	1							
8	90659-MR5-000	CLIP, harness .....	2	2							

Block No.

# F-15

Frame body • Stand •  
Carburetor box  
2001 RS125R  
2002 RS125R

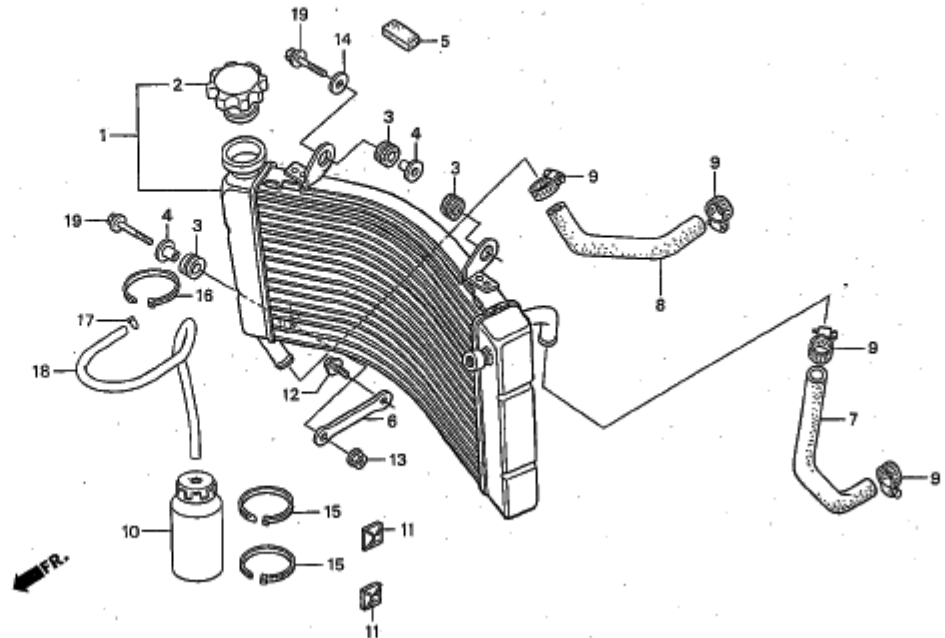


Ref. No.	Part No.	Description	Reqd. '01	No. '02	Remarks	Ref. No.	Part No.	Description	Reqd. '01	No. '02	Remarks
• 1	50100-NX4-710	FRAME BODY COMP. ....	1	1		16	91058-MG9-681	BAND, self lock .....	1	1	
• 2	50180-NX4-000	COLLAR, engine mount .....	2	2		17	94050-10000	NUT, flange 10 mm .....	2	2	
• 3	50240-NX4-000	RAIL COMP., seat .....	1	1		18	95801-10028-00	BOLT, flange, 10 x 28 .....	2	2	
• 4	50500-NX4-000	STAND, main .....	1	1							
• 5	64110-NX4-000	BOX, carburetor .....	1	1							
6	64231-MZ7-300	SEAL LOWER, headlight .....	1	1							
• 7	77105-NX4-000	RUBBER, seat rail .....	2	2							
8	90004-GHB-620	BOLT, flange NSHF 6 x 14 .....	4	4							
9	90102-GW2-000	BOLT, flange, 10 x 183 .....	2	2							
• 10	90124-NX4-000	BOLT, engine mount adjust 18 x 34.5 .....	2	2							
• 11	90134-ND5-000	BOLT, flange, 6 x 10 .....	1	1							
• 12	90301-NX4-000	NUT, lock, M18 x 1.5 .....	2	2							
• 13	90510-NX4-000	SHIM, engine mount 0.2 .....	N	N							
•	90511-NX4-000	SHIM, engine mount 0.6 .....	N	N							
•	90512-NX4-000	SHIM, engine mount 1.0 .....	N	N							
•	90513-NX4-000	SHIM, engine mount 1.5 .....	N	N							
14	90543-273-000	PACKING, front fork drain .....	1	1							
• 15	90651-NC8-000	TIE-WRAP, 3.6 x 281 .....	2	2							

Block No.

# F-16

**Radiator**  
**2001 RS125R**  
**2002 RS125R**



Ref. No.	Part No.	Description	Reqd. No. '01	Reqd. No. '02	Remarks	Ref. No.	Part No.	Description	Reqd. No. '01	Reqd. No. '02	Remarks
• 1	19010-NX4-770	RADIATOR ASSY.....	1	1		19	96001-06025-00	BOLT, flange, SH, 6 x 25 .....	2	2	
2	19045-MY3-671	CAP COMP., radiator .....	1	1							
3	19051-KA3-830	RUBBER, radiator mount .....	3	3							
4	19052-KA3-830	COLLAR, radiator mount .....	2	2							
5	19105-MR8-300	CUSHION, tank reserve .....	1	1							
• 6	19110-NX4-000	STAY, radiator .....	1	1							
• 7	19502-NX4-000	HOSE A, water .....	1	1							
• 8	19503-NX4-000	HOSE B, water .....	1	1							
9	19504-KY1-003	CLAMP, water hose D25 .....	4	4							
• 10	19802-NF4-810	TANK, catch 250 .....	1	1							
• 11	32114-NF4-780	BASE, TYLAP .....	2	2							
12	90108-GKI-000	BOLT, flange, SH, 6 x 12 .....	—	1							
	90004-GHB-610	BOLT, flange, NSHF, 6 x 12 .....	1	—							
13	90301-473-003	U-NUT, 6 mm .....	1	1							
14	90506-430-000	WASHER, fender mount .....	1	1							
• 15	90651-NC8-000	TIE-WRAP, 3.6 x 281 .....	2	2							
16	91058-MG9-681	BAND, self lock .....	1	1							
17	95002-45000	CLIP, C8 tube .....	1	1							
• 18	95003-10040-31	VINYL-TUBE, 5 x 8 x 400 .....	1	1	No sale by HRC LD. 5 mm x 400 mm						

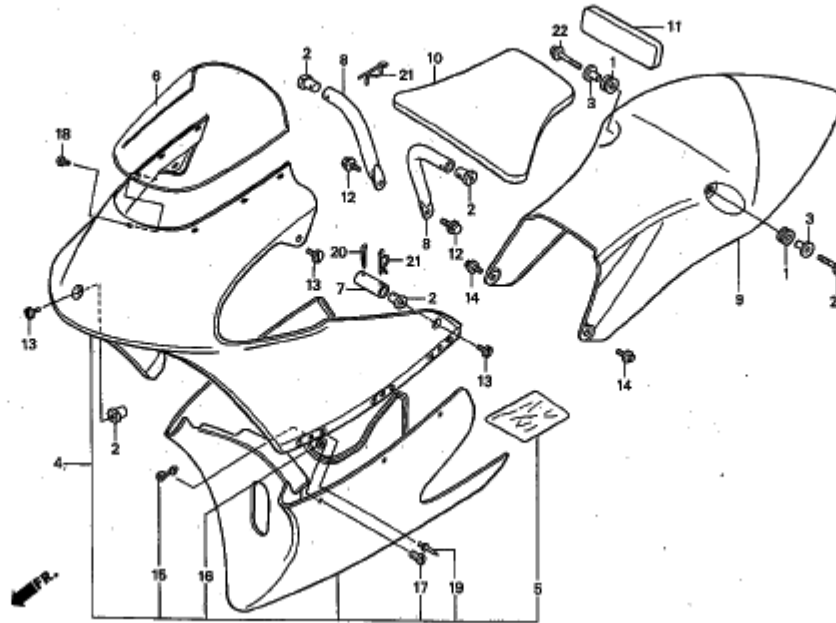
Block No.

**F-17**

**Cowl**

**2001 RS125R**

**2002 RS125R**



Ref. No.	Part No.	Description	Reqd. '01	No. '02	Remarks	Ref. No.	Part No.	Description	Reqd. '01	No. '02	Remarks
1	33712-KC5-003	GROMMET, taillight mount .....	2	2		20	94201-25300	PIN, split, 2.5 x 30 .....	2	2	
• 2	50803-NF4-610	NUT, cowl stay .....	5	5		21	94252-16100	PIN, lock, 16 mm .....	4	4	
3	61104-KA4-700	COLLAR, fender mount .....	2	2		22	96001-06020-00	BOLT, flange, SH, 6 x 20 .....	2	2	
• 4	64100-NX4-680	COWLING, front .....	1	—							
•	64100-NX4-810	COWLING, front .....	—	1							
• 5	64109-NF5-750	SHEET, heat proof .....	1	1							
• 6	64200-NX4-680	SCREEN .....	1	1							
• 7	64210-NX4-000	STAY, front cowl side .....	2	2							
• 8	64240-NX4-680	STAY, front cowl up .....	2	2							
• 9	77210-NX4-680	COWL, seat .....	1	1							
• 10	77220-NX4-000	RUBBER, seat .....	1	1							
• 11	77221-NF5-760	RUBBER, seat back .....	1	1							
12	90004-GHB-620	BOLT, flange NSHF 6 x 14 .....	2	2							
• 13	90106-NF4-770	BOLT, cowl set, 6 x 13 .....	5	5							
14	90108-GK1-000	BOLT, flange, SH, 6 x 12 .....	2	2							
• 15	90653-NC8-000	SPRING, fastener, 35 .....	6	6							
• 16	90654-NC8-000	GROMMET, fastener .....	6	6							
• 17	90655-NC8-000	STUD, fastener, 35 .....	6	6							
• 18	90656-NX4-000	RIVET, 4 x 7 .....	7	7							
• 19	91080-NC8-300	RIVET, 3.2 x 6.4 .....	12	12							